



WINSTAR Display Co.,Ltd.
華凌光電股份有限公司



Winstar Display Co., LTD

華凌光電股份有限公司



WEB: <https://www.winstar.com.tw> E-mail: sales@winstar.com.tw

SPECIFICATION

CUSTOMER : _____

MODULE NO.: WF70C4SIAGDNGO#

<p>APPROVED BY:</p> <p>(FOR CUSTOMER USE ONLY)</p>	<p>PCB VERSION: _____</p> <p>DATA: _____</p>
---	--

SALES BY	APPROVED BY	CHECKED BY	PREPARED BY
			周园园
ISSUED DATE: 2022/09/08			

TFT Display Inspection Specification: <https://www.winstar.com.tw/technology/download.html>

Precaution in use of TFT module: <https://www.winstar.com.tw/technology/download/declaration.html>



RECORDS OF REVISION

DOC. FIRST ISSUE

VERSION	DATE	REVISED PAGE NO.	SUMMARY
0	2022/09/08		First issue

WINSTAR DISPLAY Co., Ltd.

Contents

1.Module Classification Information

2.Summary

3.General Specifications

4.Absolute Maximum Ratings

5.Electrical Characteristics

6.AC Characteristics

7.Optical Characteristics

8.Interface

9.Block Diagram

10.Reliability

11.Touch Panel Information

12.Contour Drawing

13.Inspection Specification

1.Module Classification Information

W F 70 C4 S I A G D N G 0 #
 ① ② ③ ④ ⑤ ⑥ ⑦ ⑧ ⑨ ⑩ ⑪ ⑫ ⑬

①	Brand : WINSTAR DISPLAY CORPORATION											
②	Display Type : F→TFT Type, J→Custom TFT											
③	Display Size : 7.0" TFT											
④	Model serials no.											
⑤	Backlight Type :	F→CCFL, White S→LED, High Light White					T→LED, White Z→Nichia LED, White					
⑥	LCD Polarize Type/ Temperature range/ Gray Scale Inversion Direction	A→Transmissive, N.T, IPS TFT C→Transmissive, N. T, 6:00 ; F→Transmissive, N.T,12:00 ; I→Transmissive, W. T, 6:00 K→Transflective, W.T,12:00 L→Transmissive, W.T,12:00 N→Transmissive, Super W.T, 6:00					Q→Transmissive, Super W.T, 12:00 R→Transmissive, Super W.T, O-TFT V→Transmissive, Super W.T, VA TFT W→Transmissive, Super W.T, IPS TFT X→Transmissive, W.T, VA TFT Y→Transmissive, W.T, IPS TFT Z→Transmissive, W.T, O-TFT					
⑦	A : TFT LCD B : TFT+SCREW HOLES+CONTROL BOARD C : TFT+ SCREW HOLES +A/D BOARD D : TFT+ SCREW HOLES +A/D BOARD+CONTROL BOARD E : TFT+ SCREW HOLES +POWER BOARD					F : TFT+CONTROL BOARD G : TFT+ SCREW HOLES H : TFT+D/V BOARD I : TFT+ SCREW HOLES +D/V BOARD J : TFT+POWER BD						
⑧	Resolution:											
	A	128160	B	320234	C	320240	D	480234	E	480272	F	640480
	G	800480	H	1024600	I	320480	J	240320	K	800600	L	240400
	M	1024768	N	128128	P	1280800	Q	480800	R	640320	S	480128
	T	800320	U	8001280	V	176220	W	1280398	X	1024250	Y	1920720
	Z	800200	2	1024324	3	7201280	4	19201200	5	1366768	6	1280320
⑨	D: Digital L : LVDS M:MIPI											
⑩	Interface:											
	N	Without control board			A	8Bit	B	16Bit		H	HDMI	
	I	I2C Interface			R	RS232	S	SPI Interface		U	USB	
⑪	TS:											
	N	Without TS			T	Resistive touch panel			C	Capacitive touch panel (G-F-F)		
	G	Capacitive touch panel (G-G)					C1	Capacitive touch panel (G-F-F)+OCA				
	C2	Capacitive touch panel (G-F-F)+OCR					G1	Capacitive touch panel (G-G)+OCA				
	G2	Capacitive touch panel (G-G)+OCR					B	CTP+GG+USB				
⑫	Version: X:Raspberry pi											
⑬	Special Code	#:Fit in with ROHS directive regulations										

--	--	--

WINSTAR DISPLAY Co., Ltd.

2.Summary

TFT 7.0”is a TN transmissive type color active matrix TFT liquid crystal display that use amorphous silicon TFT as switching devices. This module is a composed of a TFT_LCD module, It is usually designed for industrial application and this module follows RoHs.

WINSTAR DISPLAY Co., Ltd.

3. General Specifications

Item	Dimension	Unit
Size	7.0	inch
Dot Matrix	800 x RGBx480(TFT)	dots
Module dimension	165.0(W) x 104.6(H) x10.2(MAX)(D)	mm
Active area	152.4 x 91.44	mm
Pixel pitch	0.1905x 0.1905	mm
LCD type	TFT, Normally White, Transmissive	
View Direction	12 o'clock	
Gray Scale Inversion Direction	6 o'clock	
Aspect Ratio	16:9	
Backlight Type	LED, Normally White	
TFT Interface	18-bit RGB	
CTP IC	IL12130 or Equivalent	
CTP Interface	I2C	
CTP FW Version	0x07.0x00.0x00.0x00.0x70.0x44.0x0A.0x02	
CTP Resolution	16384*16384	
With /Without TP	With CTP	
Surface	Glare	

*Color tone slight changed by temperature and driving voltage.

4. Absolute Maximum Ratings

Item	Symbol	Min	Typ	Max	Unit
Operating Temperature	TOP	-20	—	+70	°C
Storage Temperature	TST	-30	—	+80	°C

Note: Device is subject to be damaged permanently if stresses beyond those absolute maximum ratings listed above

1. Temp. $\leq 60^{\circ}\text{C}$, 90% RH MAX. Temp. $> 60^{\circ}\text{C}$, Absolute humidity shall be less than 90% RH at 60°C

WINSTAR DISPLAY Co., Ltd

5. Electrical Characteristics

5.1. Operating conditions:

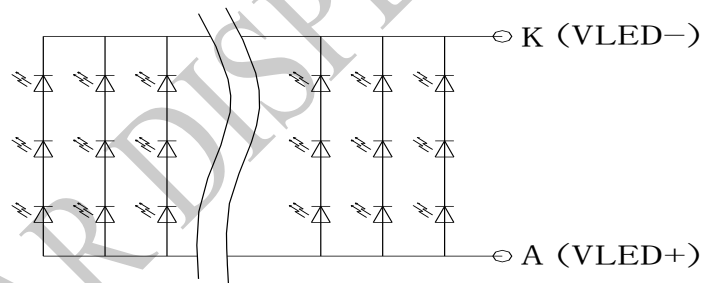
Item	Symbol	Condition	Min	Typ	Max	Unit
Supply Voltage For LCM	Vcc	-	3.0	3.3	3.6	V
Supply Current For LCM	Icc	Black Pattern	—	140	210	mA
Supply CTP	VDDT	-	3.0	3.3	3.6	V
	I _{CTP}	-	—	62	93	mA

Note 1 : This value is test for VDD=3.3V , Ta=25°C only

5.2. LED driving conditions

Parameter	Symbol	Min.	Typ.	Max.	Unit	Remark
LED current	-	-	200	250	mA	-
Power Consumption	VBL±=9.8V	-	1960	-	mW	-
LED voltage	VBL+	8.0	9.8	11.0	V	Note 1
LED Life Time	-	-	50,000	-	Hr	Note 2,3,4

Note 1 : There are 1 Groups LED



$$3 * 10 = 30 \text{ LED}$$

Note 2 : Ta = 25 °C

Note 3 : Brightness to be decreased to 50% of the initial value

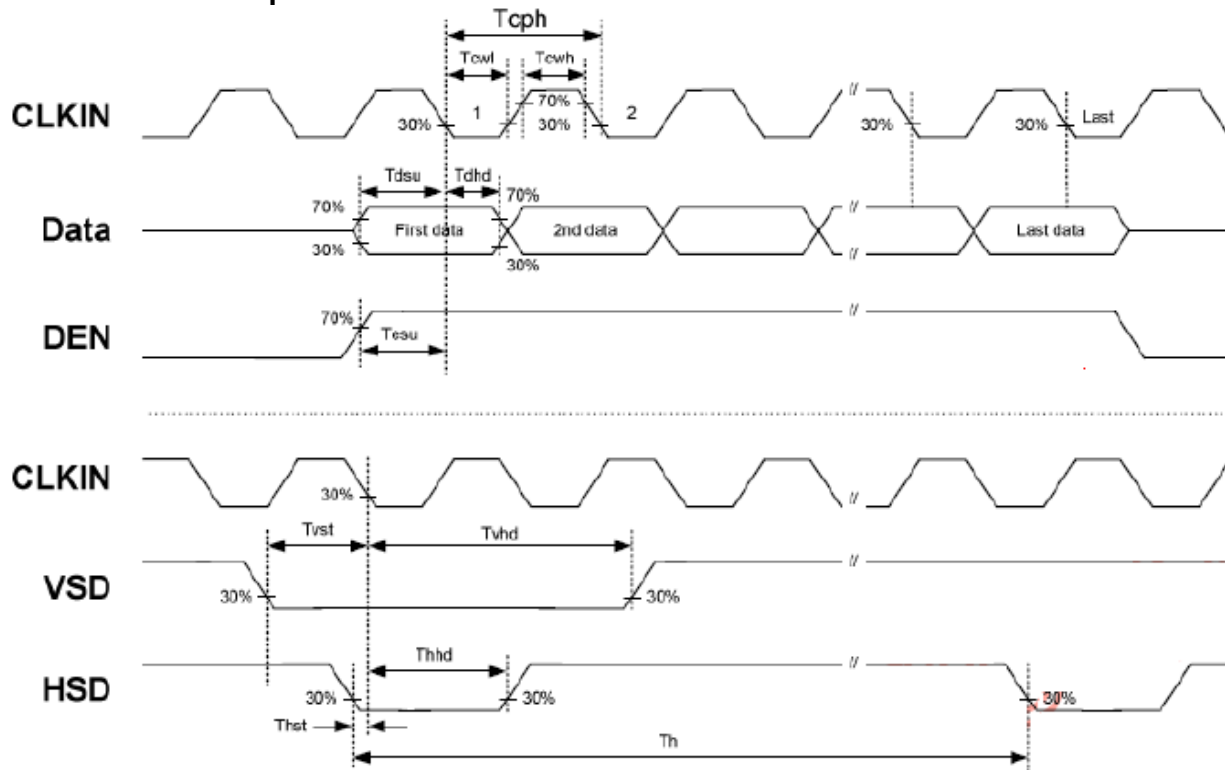
Note 4 : The single LED lamp case

6.AC Charateristics

6.1. AC Electrical CHARATERISTICS

Item	Symbol	Values			Unit	Remark
		Min.	Typ.	Max.		
HS setup time	T_{hst}	8	-	-	ns	
HS hold time	T_{hhd}	8	-	-	ns	
VS setup time	T_{vst}	8	-	-	ns	
VS hold time	T_{vhd}	8	-	-	ns	
Data setup time	T_{dsu}	8	-	-	ns	
Data hole time	T_{dhd}	8	-	-	ns	
DE setup time	T_{esu}	8	-	-	ns	
DE hole time	T_{ehd}	8	-	-	ns	
DV _{DD} Power On Slew rate	T_{POR}	-	-	20	ms	From 0 to 90% DV _{DD}
RESET pulse width	T_{Rst}	1	-	-	ms	
DCLK cycle time	T_{cph}	20	-	-	ns	
DCLK pulse duty	T_{cwh}	40	50	60	%	

6.2. Clock and Data input waveforms



6.3. Timing

Item	Symbol	Values			Unit	Remark
		Min.	Typ.	Max.		
Horizontal Display Area	thd	-	800	-	DCLK	
DCLK Frequency	fclk	26.4	33.3	46.8	MHz	
One Horizontal Line	th	862	1056	1200	DCLK	
HS pulse width	thpw	1	6	40	DCLK	
HS Blanking	thb	46	46	46	DCLK	
HS Front Porch	thfp	16	204	354	DCLK	

Item	Symbol	Values			Unit	Remark
		Min.	Typ.	Max.		
Vertical Display Area	tvd	-	480	-	TH	
VS period time	tv	510	525	650	TH	
VS pulse width	tvpw	1	3	20	TH	
VS Blanking	tvb	23	23	23	TH	
VS Front Porch	tvfp	7	22	147	TH	

Note: Frame rate is 60±5Hz

6.4. Data input format

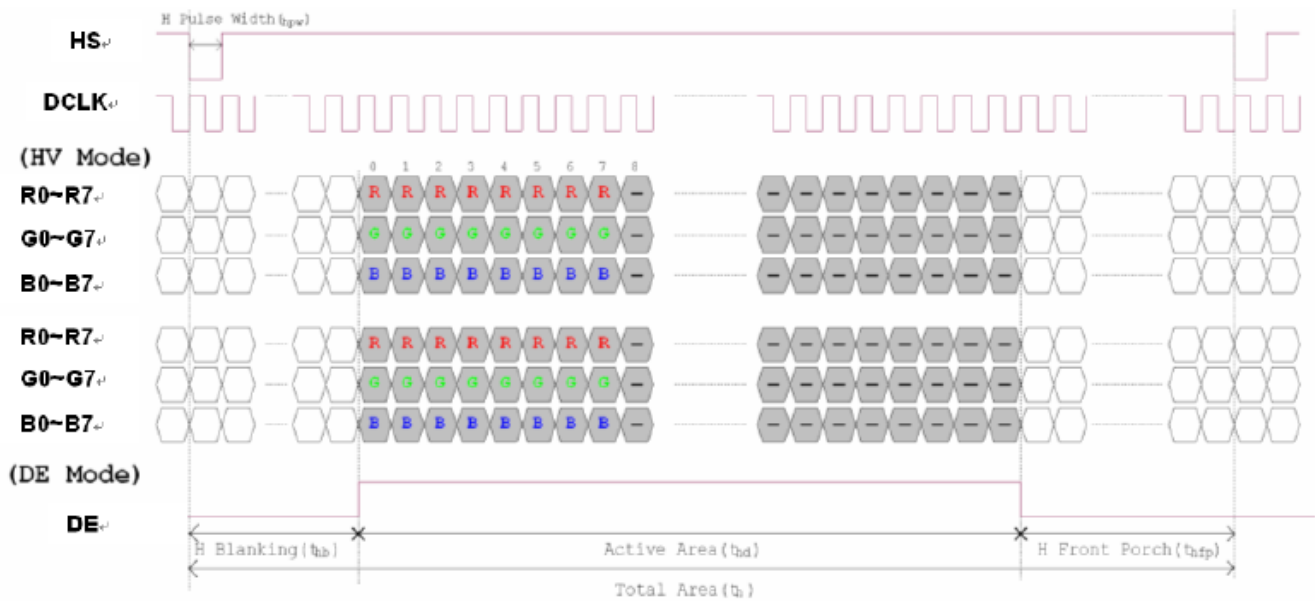


Figure 3. 1 Horizontal input timing diagram.

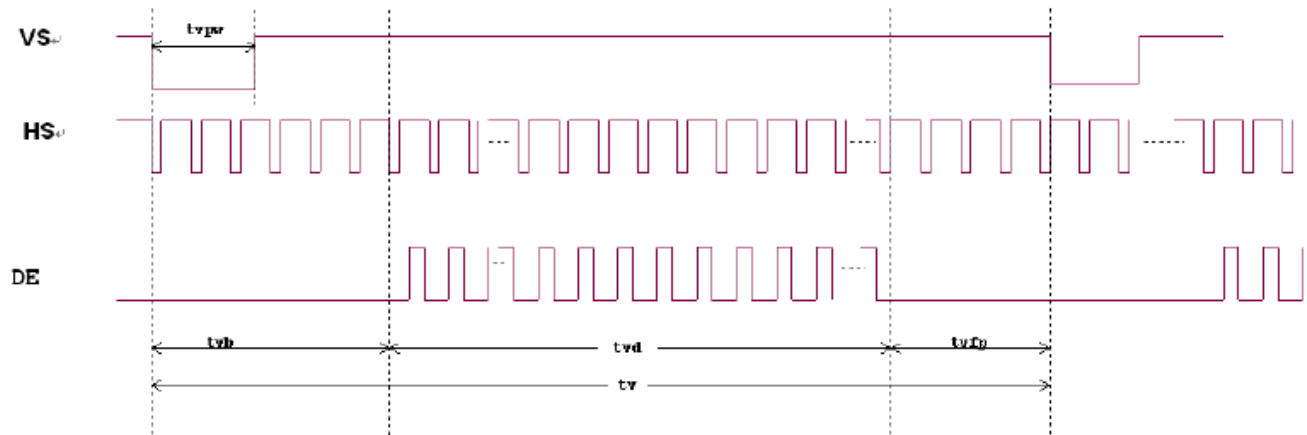
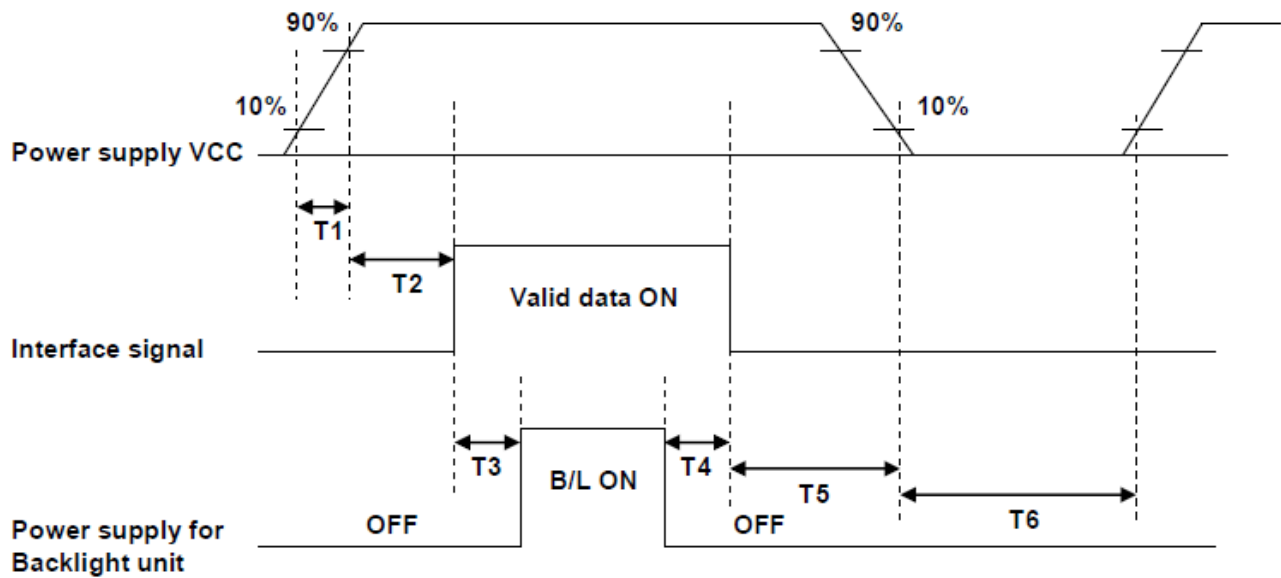


Figure 3. 2 Vertical input timing diagram.

6.5. Power ON/OFF sequence



Parameter	SPEC.			Unit
	Min.	Typ.	Max.	
T1	1		2	ms
T2	200			ms
T3	180			ms
T4	180			ms
T5	200			ms
T6	1000			ms

7. Optical Characteristics

TFT LCD characteristic

Item	Symbol	Condition.	Min	Typ.	Max.	Unit	Remark	
Response time	Tr+ Tf	$\theta=0^\circ$ 、 $\Phi=0^\circ$		25	50	.ms	Note 3	
Contrast ratio	CR	At optimized viewing angle	700	1000	-	-	Note 4	
Color Chromaticity	White	Wx	$\theta=0^\circ$ 、 $\Phi=0$	0.26	0.31	0.36	Note 2,6,7	
		Wy		0.28	0.33	0.38		
Viewing angle (Gray Scale Inversion Direction)	Hor.	Θ_R	CR ≥ 10	60	70	-	Deg.	Note 1
		Θ_L		60	70	-		
	Ver.	Φ_T		50	60	-		
		Φ_B		60	70	-		
Brightness	-	-	600	800	-	cd/m ²	Center of display	
Uniformity	(U)	-	70	-	-	%	Note 5	

Ta=25±2°C, ILED = 200mA

Note 1: Definition of viewing angle range

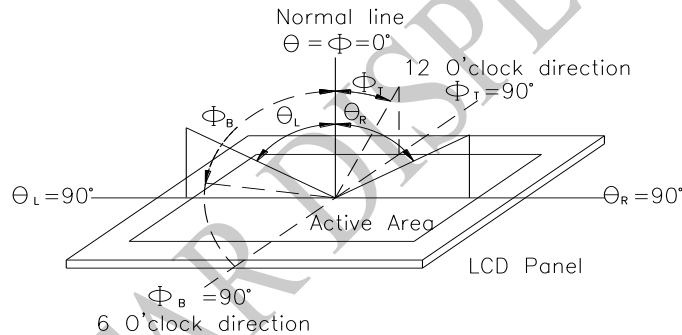


Fig.7.1. Definition of viewing angle

Note 2: Test equipment setup:

After stabilizing and leaving the panel alone at a driven temperature for 10 minutes, the measurement should be executed. Measurement should be executed in a stable, windless, and dark room. Optical specifications are measured by Topcon BM-7orBM-5 luminance meter 1.0° field of view at a distance of 50cm and normal direction.

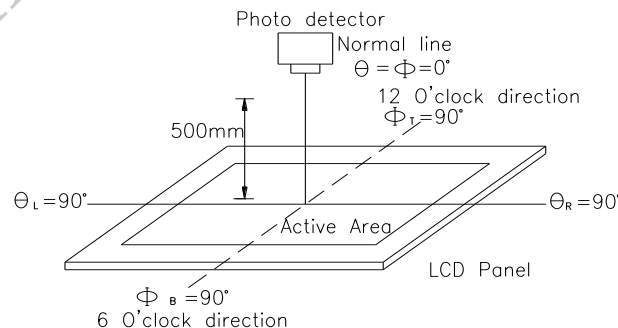
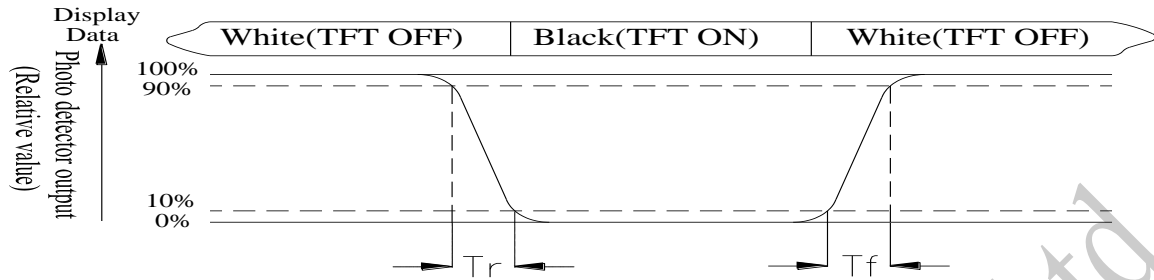


Fig. 7.2. Optical measurement system setup

Note 3: Definition of Response time:

The response time is defined as the LCD optical switching time interval between “White” state and “Black” state. Rise time, T_r , is the time between photo detector output intensity changed from 90% to 10%. And fall time, T_f , is the time between photo detector output intensity changed from 10% to 90%



Note 4: Definition of contrast ratio:

The contrast ratio is defined as the following expression.

$$\text{Contrast ratio (CR)} = \frac{\text{Luminance measured when LCD on the "White" state}}{\text{Luminance measured when LCD on the "Black" state}}$$

Note 5: Definition of Luminance Uniformity

Active area is divided into 9 measuring areas (reference the picture in below). Every measuring point is placed at the center of each measuring area.

$$\text{Luminance Uniformity (U)} = \text{Lmin/Lmax} \times 100\%$$

L = Active area length

W = Active area width

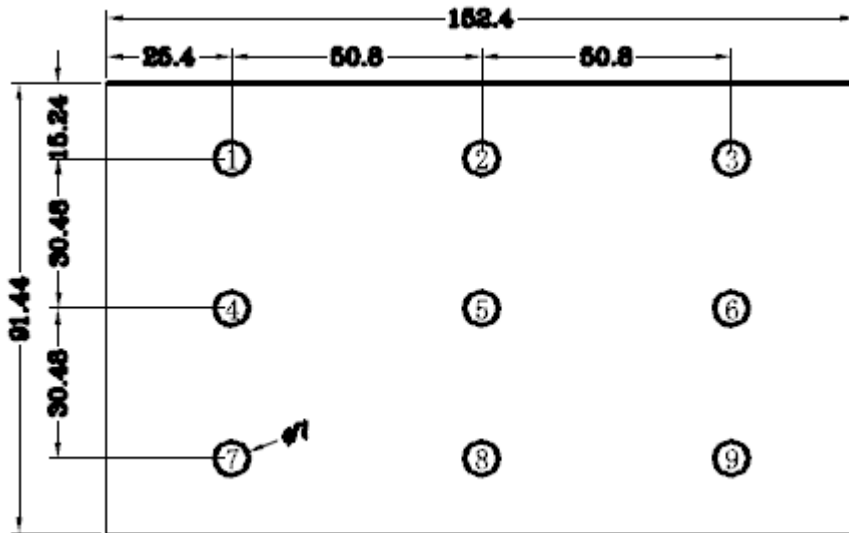


Fig7.3. Definition of uniformity

Note 6: Definition of color chromaticity (CIE 1931)

Color coordinates measured at the center point of LCD

Note 7: Measured at the center area of the panel when all the input terminals of LCD panel are electrically opened.

8.Interface

8.1. LCM PIN Definition

Pin	Symbol	Function	Remark
1	GND	Power Ground	
2	GND	Power Ground	
3	NC	Not Connect	
4	Vcc	Power Supply for Digital Circuit	
5	Vcc	Power Supply for Digital Circuit	
6	Vcc	Power Supply for Digital Circuit	
7	Vcc	Power Supply for Digital Circuit	
8	NC	Not Connect	
9	DE	Data Enable	
10	GND	Power Ground	
11	GND	Power Ground	
12	GND	Power Ground	
13	B5	Blue Data 5 (MSB)	
14	B4	Blue Data 4	
15	B3	Blue Data 3	
16	GND	Power Ground	
17	B2	Blue Data 2	
18	B1	Blue Data 1	
19	B0	Blue Data 0 (LSB)	
20	GND	Power Ground	
21	G5	Green Data 5 (MSB)	
22	G4	Green Data 4	
23	G3	Green Data 3	
24	GND	Power Ground	
25	G2	Green Data 2	
26	G1	Green Data 1	
27	G0	Green Data 0(LSB)	
28	GND	Power Ground	

29	R5	Red Data 5 (MSB)	
30	R4	Red Data 4	
31	R3	Red Data 3	
32	GND	Power Ground	
33	R2	Red Data 2	
34	R1	Red Data 1	
35	R0	Red Data 0(LSB)	
36	GND	Power Ground	
37	GND	Power Ground	
38	DCLK	Clock Signals ; Latch Data at the Falling Edge (CLK)	
39	GND	Power Ground	
40	GND	Power Ground	

8.2. Backlight Driving Part

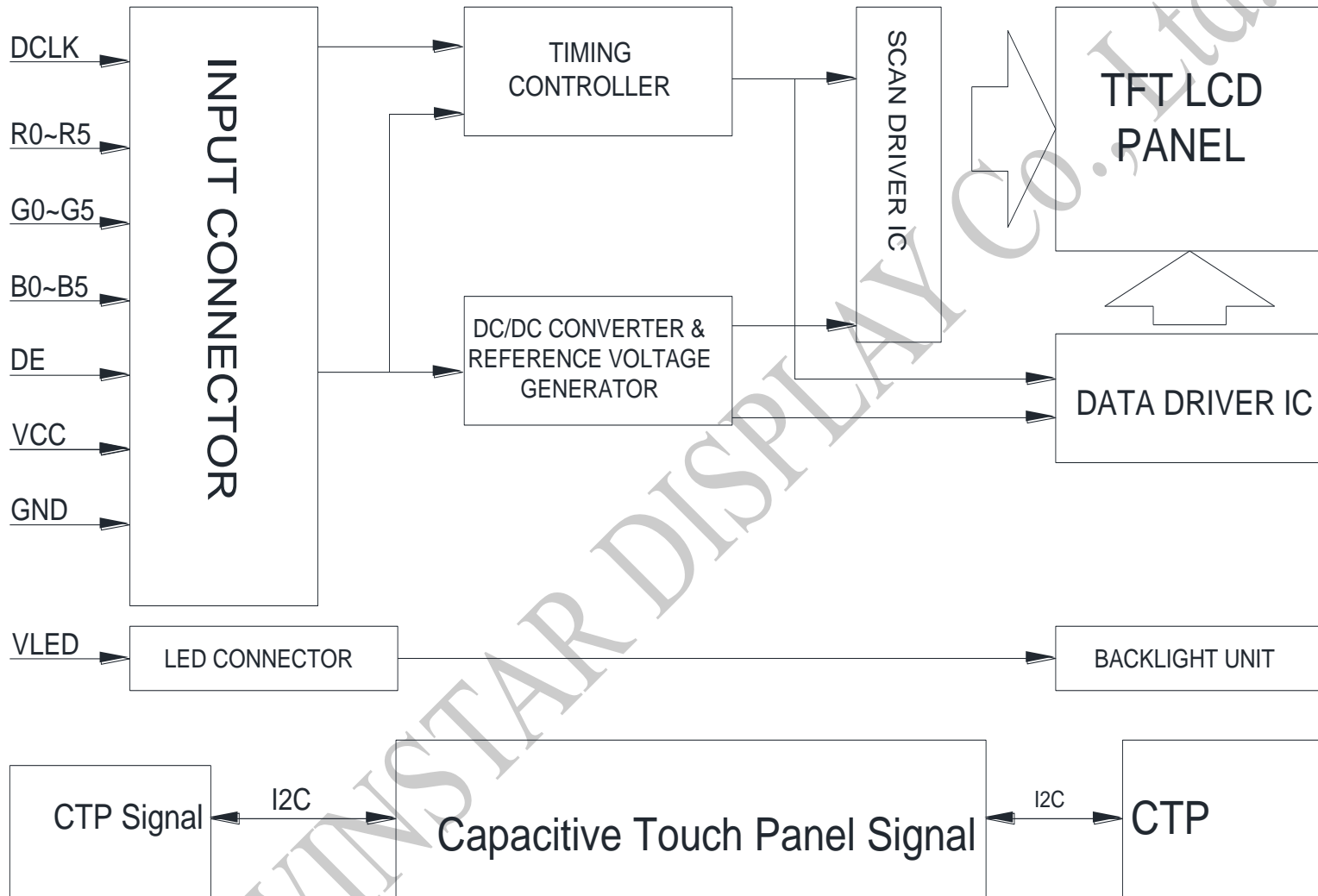
Pin No.	Symbol	Description
1	VLED+	Red, LED_ Anode
2	VLED-	White, LED_ Cathode

Note: The backlight interface connector is a model SM02B-BHSS-1-TB manufactured by JST or equivalent. The matching connector part number is BHSR-20VS-1 manufactured by JST or equivalent.

8.3. CTP PIN Definition

Pin	Symbol	Function	Remark
1	VSS	Ground for analog circuit	
2	VDDT	Power Supply : +3.3V	
3	SCL	I2C clock input	
4	NC	No connect	
5	SDA	I2C data input and output	
6	NC	No connect	
7	/RST	External Reset, Low is active	
8	NC	No connect	
9	/INT	External interrupt to the host	
10	VSS	Ground for analog circuit	

9. Block Diagram



10. Reliability

Content of Reliability Test (Wide temperature, -20°C~70°C)

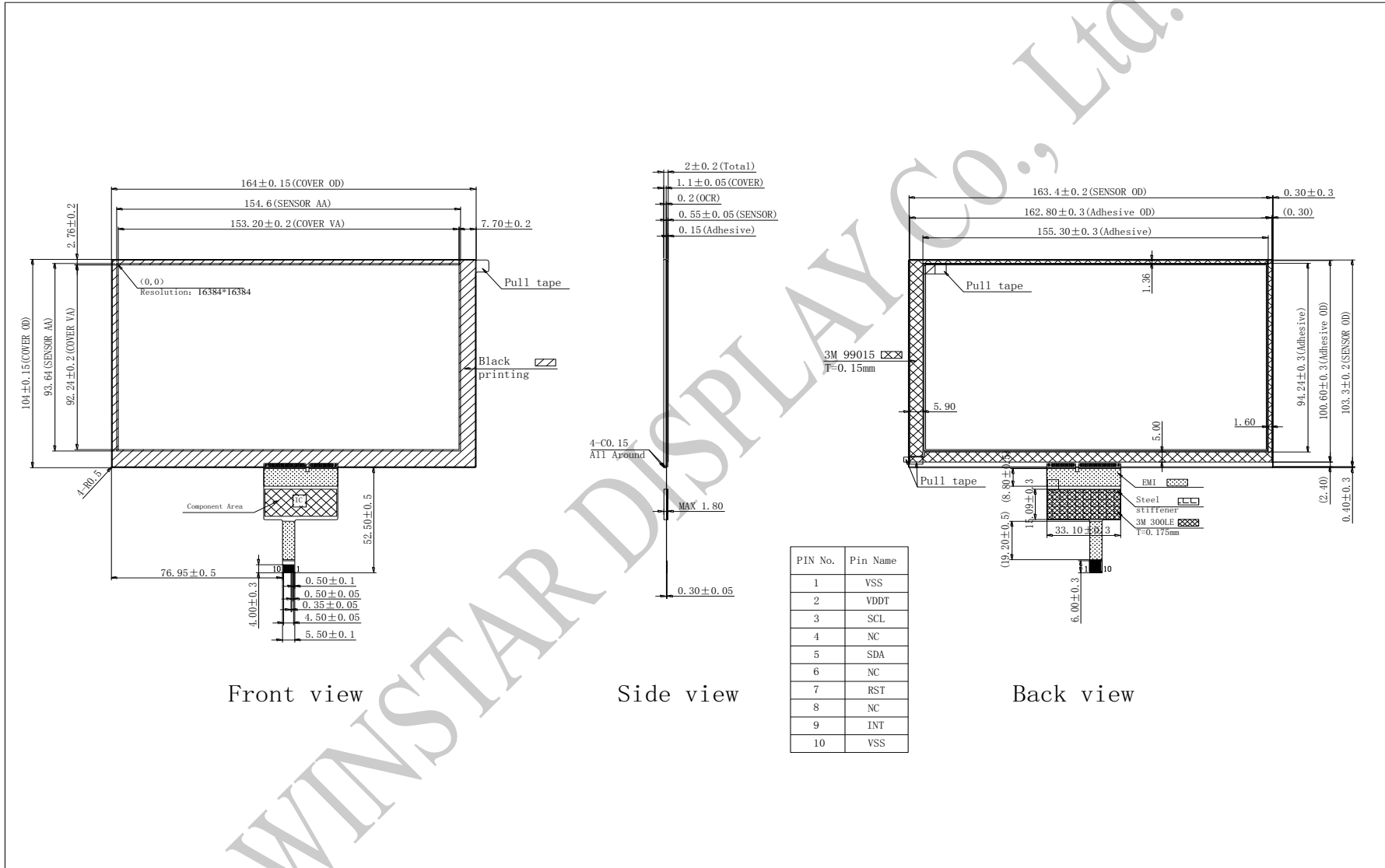
Environmental Test			
Test Item	Content of Test	Test Condition	Note
High Temperature storage	Endurance test applying the high storage temperature for a long time.	80°C 200hrs	2
Low Temperature storage	Endurance test applying the low storage temperature for a long time.	-30°C 200hrs	1,2
High Temperature Operation	Endurance test applying the electric stress (Voltage & Current) and the thermal stress to the element for a long time.	70°C 200hrs	—
Low Temperature Operation	Endurance test applying the electric stress under low temperature for a long time.	-20°C 200hrs	1
High Temperature/ Humidity Operation	The module should be allowed to stand at 60°C,90%RH max	60°C,90%RH 96hrs	1,2
Thermal shock resistance	The sample should be allowed stand the following 10 cycles of operation <div style="text-align: center;"> <p style="margin: 0;">-20°C 25°C 70°C</p> <p style="margin: 0;">30min 5min 30min</p> <p style="margin: 0;">1 cycle</p> </div>	-20°C/70°C 10 cycles	—
Vibration test	Endurance test applying the vibration during transportation and using.	Total fixed amplitude : 1.5mm Vibration Frequency : 10~55Hz One cycle 60 seconds to 3 directions of X,Y,Z for Each 15 minutes	3
Static electricity test	Endurance test applying the electric stress to the finished product housing.	Contact ±6KV Air ±8KV RS=330Ω CS=150pF 10 times	4

Note1: No dew condensation to be observed.

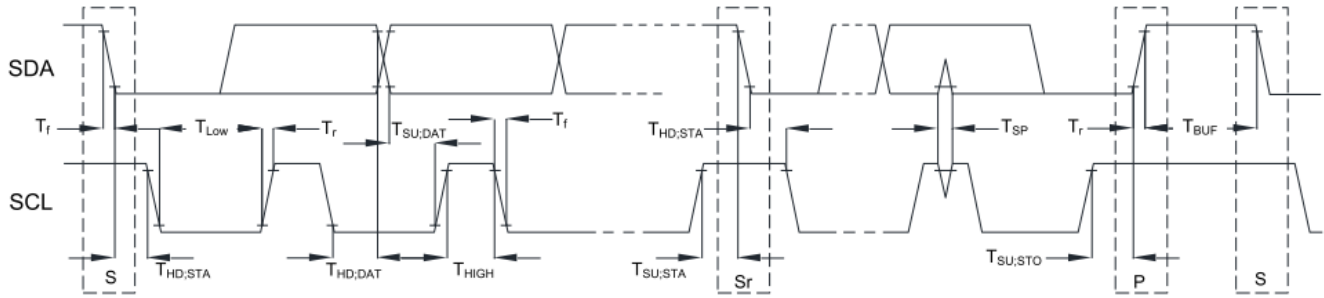
Note2: The function test shall be conducted after 4 hours storage at the normal Temperature and humidity after remove from the test chamber.

Note3: The packing have to including into the vibration testing.

11.Touch Panel Information

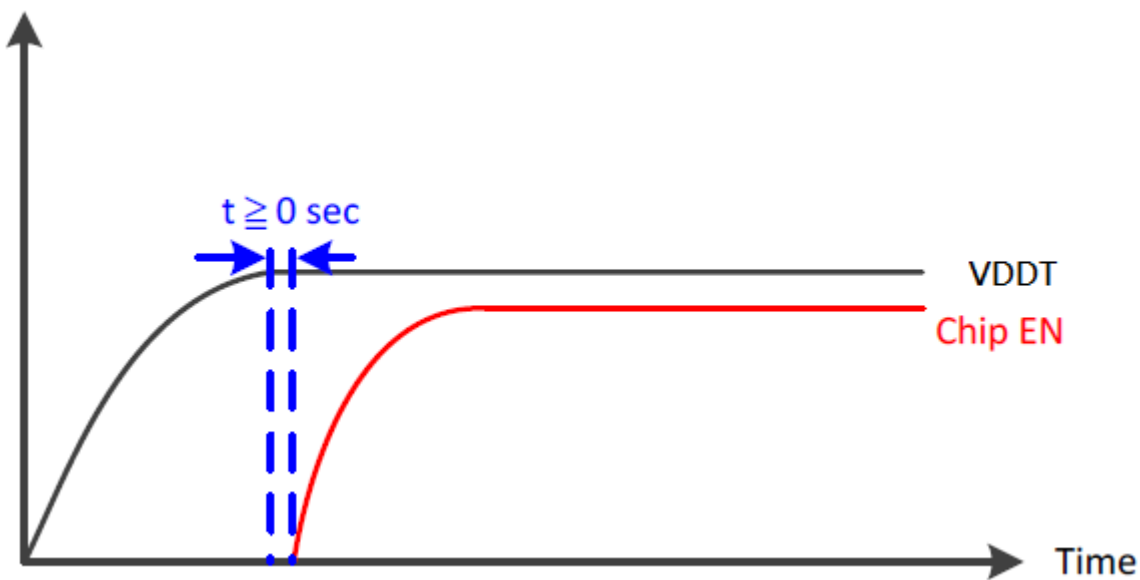


11.1. I2C AC Characteristics

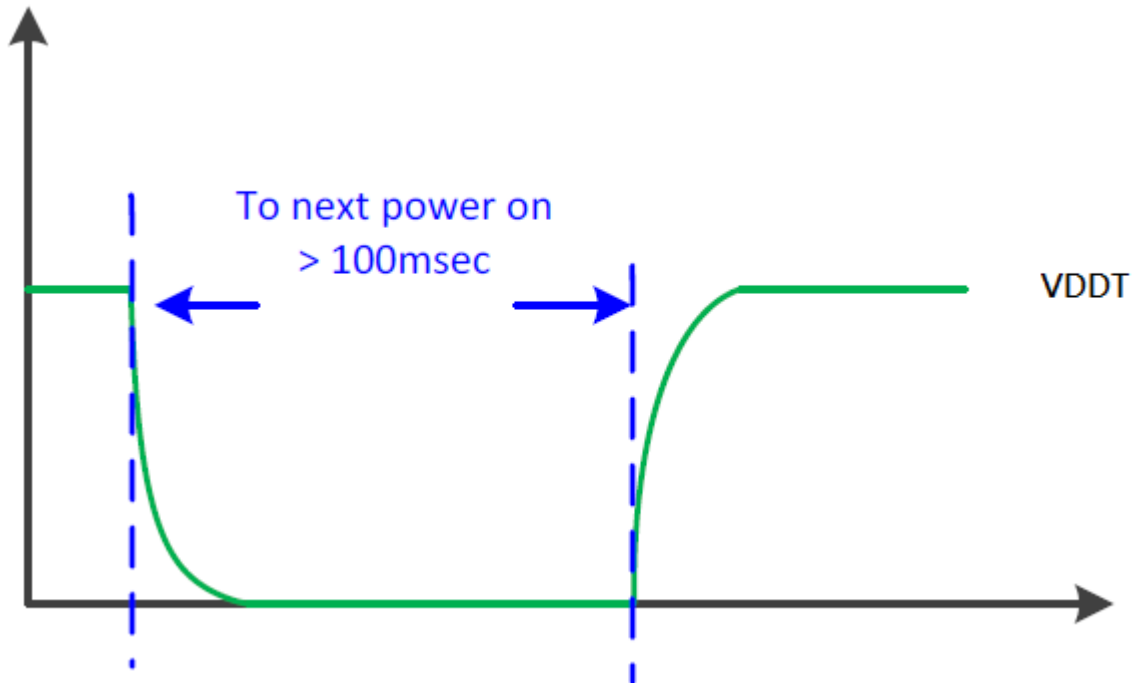


Item	Symbol	100kHz		400kHz		Unit
		Min.	Max.	Min.	Max.	
SCL standard mode clock frequency	F _{SCL}	0	100	0	400	kHz
Hold time (repeated) START condition. After this period, the first clock is generated.	T _{HD;STA}	4	--	0.6	--	us
LOW period of the SCL clock	T _{LOW}	4.7	--	1.3	--	us
HIGH period of the SCL clock	T _{HIGH}	4	--	0.6	--	us
Setup time for a repeat START condition.	T _{SU;STA}	4.7	--	0.6	--	us
Data hold time	T _{HD;DAT}	0	3.45	0	0.9	us
Data setup time	T _{SU;DAT}	250	--	100	--	ns
Rising time of both SDA and SCL signals	T _r	--	1000	--	300	ns
Falling time of both SDA and SCL signals	T _f	--	300	--	300	ns
Setup time for STOP condition.	T _{SU;STO}	4	--	0.6	--	us
Free time between STOP and START condition	T _{BUF}	4.7	--	1.3	--	us
Pulse width of spikes which must be suppressed by input filter	T _{SP}	--	--	0	50	ns

11.2. Power On Sequence

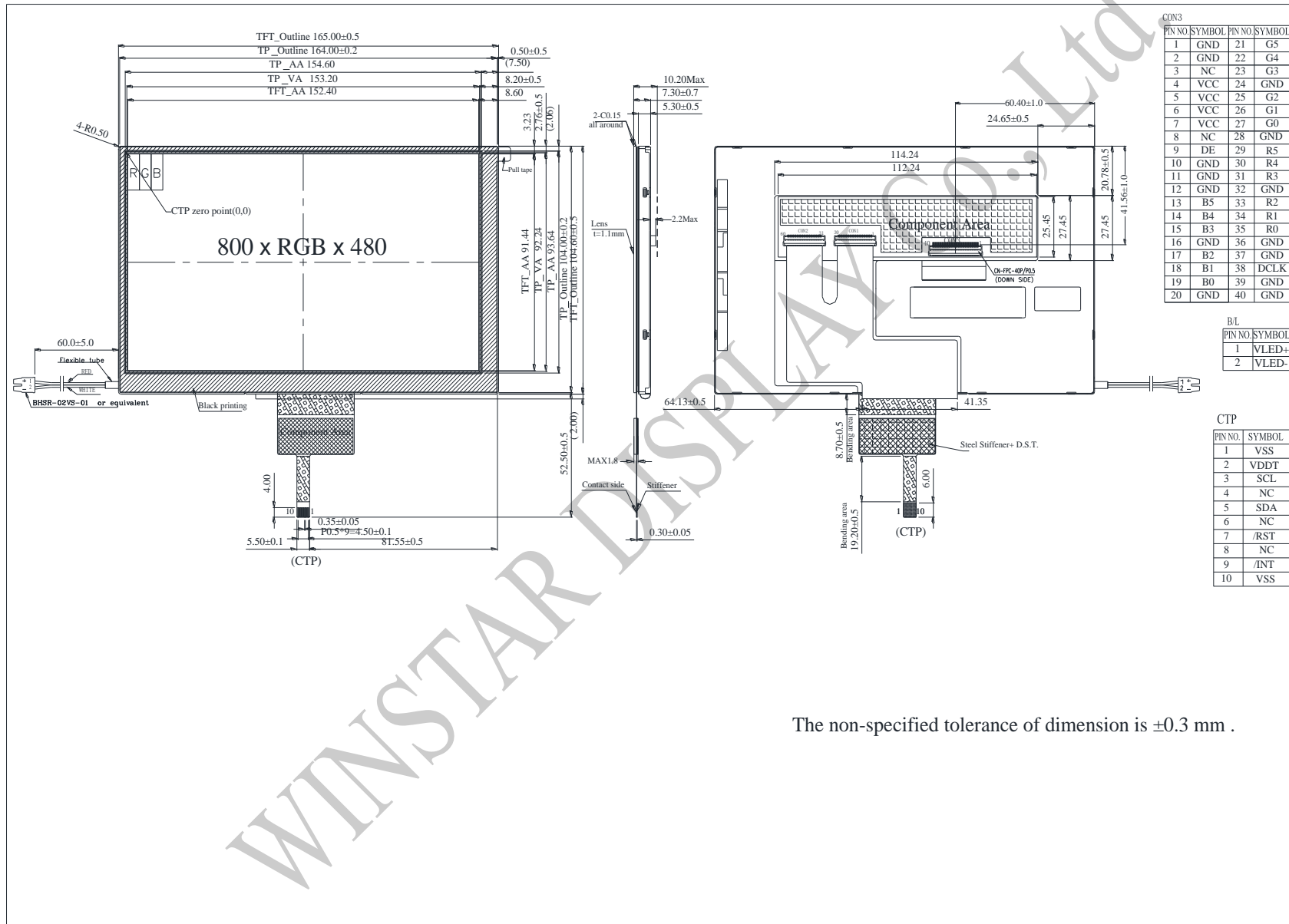


11.3. Power Off to Power On Sequence



WINSTAR DISPLAY

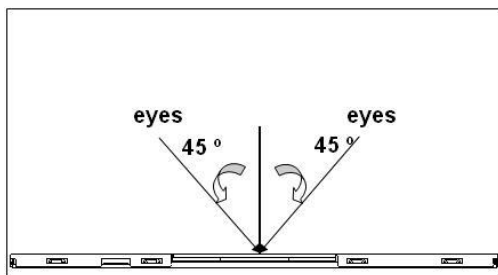
12. Contour Drawing



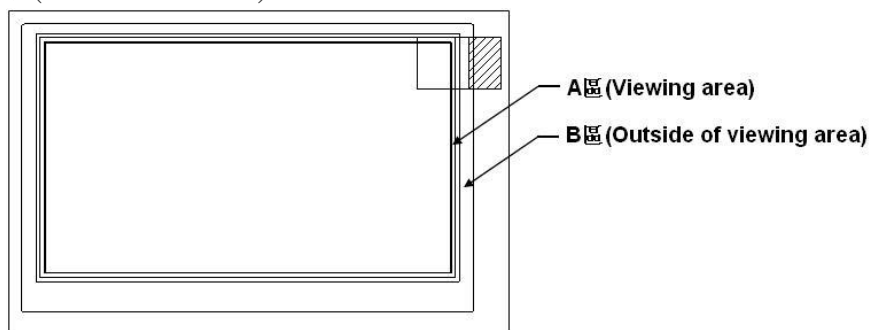
The non-specified tolerance of dimension is ± 0.3 mm .

13.檢驗規範(Inspection Specification)

1. 範圍(Scope)：適用於本公司 TFT-LCD 模塊(The document shall be applied to TFT-LCD Module)
2. 檢驗標準(Inspection Standard)：MIL-STD-105E 正常單次抽樣水平 II(MIL-STD-105E Table Normal Inspection Single Sampling Level II)
3. 缺陷水平(Defect Level)：主要缺陷 AQL：0.65;次要缺陷 AQL：2.5(Major Defect AQL:0.65;Minor Defect AQL:2.5)
4. 檢驗條件(Test conditions):
 - (1)溫度(Temperature)：15°C~25°C；溼度(Humidity)：55±15%
 - (2)外觀檢驗(Visual inspection)：光照強度：500 Lux 以上;檢查距離：20cm~30cm (Illumination：More than 500 Lux; Inspection Distance: 20cm~30cm)
 - (3)電性檢驗(Electrical inspection)：光照強度：100Lux~300Lux;檢查距離：20cm~30cm(Illumination：100Lux~300Lux; Inspection Distance: 20cm~30cm)
 - (4)目視角度(Visual angle)：檢查目視的角度是法線方法的 45 °(The test direction is base on about around 45° of Vertical line)



- (5)定義區域(Definition of area):



5. 象素定義 (Pixel Definition):

R	G	B	R	G	B	R	G	B			Dot Defect
R	G	B	R	G	B	R	G	B			Adjacent Dot Defect
R	G	B	R	G	B	R	G	B			Cluster

註 1：如果像素或部分子像素缺陷超過受影響像素或子像素面積的 50%，則視為 1 個缺陷。
請參考 NO.11 為允許數量和亮點大小判斷標準。

Note 1: If pixel or partial sub-pixel defects exceed 50% of the affected pixel or sub-pixel area, it shall be considered as 1 defect. please refer to NO.11 for the allowable quantity and bright dot size judgment standards.

註 2：在 2 秒的檢查時間內，通過 5% ND 濾光片不應有明顯的不均勻。

Note 2: There should be no distinct non-uniformity visible through 5% ND Filter within 2 sec inspection times.

註 3：Mura 和亮點通過 5% ND 濾光片檢查。

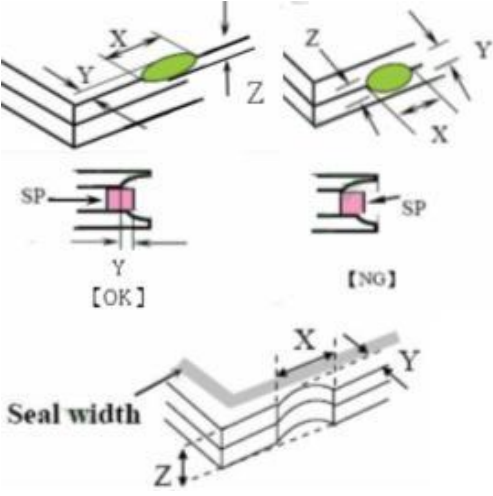
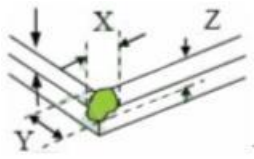
Note 3: Mura and bright dot inspected through 5% transmission ND Filter as following.

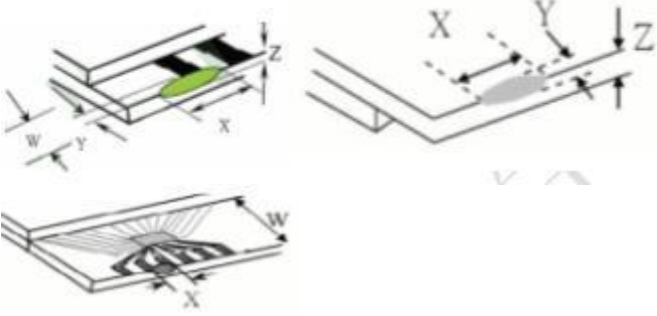
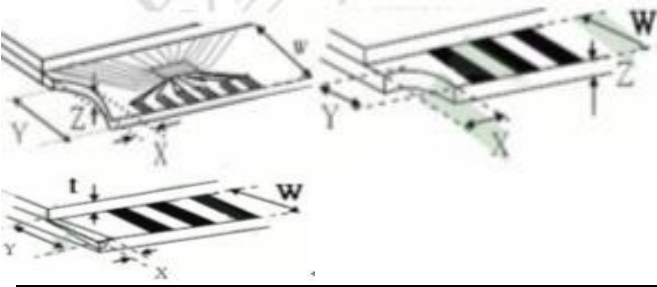
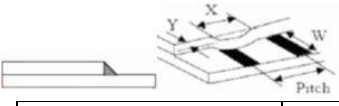
註 4：相鄰 2 個亮點排列的判斷標準如下，請參考 NO.11 為允許數量和亮點大小判斷標準。

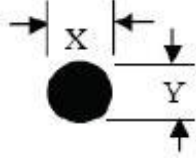
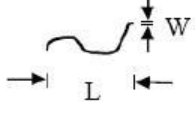
Note 4: The judging criteria for the arrangement of 2 adjacent bright dots are as follows, please refer to NO.11 for the allowable quantity and bright dot size judgment standards.

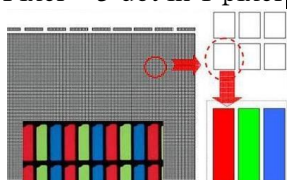
2 dot adjacent is OK	2 dot adjacent vertical is NG	2 dot adjacent slant is NG

5. 檢驗標準(Inspection Standard) :

項次 (No)	檢驗項目(Inspection item)	檢驗標準(Inspection Standard)	缺陷等級 (Defect Level)									
1	PACKING & INDICATE	1.1.不可有混入其他型號產品的現象(Mixde product types). 1.2.不可有產品漏工序的現象(The part number is inconsistent with work order of production). 1.3.不可有部件裝反方向的現象(Assembled in inverse direction). 1.4.不可有數量與實際要求不一致的現象(The quantity is inconsistent with work order of production).	主缺 (Maj)									
2	尺寸(Size)	产品尺寸和结构必须符合结构图(Product size and structure must meet the structure diagram)	主缺 (Maj)									
3	玻璃裂纹(The crack of glass)	<p>符號(Symbols): X:破裂長度(Symbols) Y:破裂寬度(The width of crack). Z:破裂厚度(The thickness of crack). W:出電極區寬度(Terminal length) T:玻璃厚度(The thickness of glass). a:LCD 側面長度(LCD side length).</p> <p>3.1.一般玻璃破損(General glass chip): 3.1.1.玻璃表面或上、下玻璃組合縫隙之間破損(Chip on panel surface and crack between panels);</p>  <table border="1" data-bbox="534 1601 1284 1825"> <thead> <tr> <th>X</th> <th>Y</th> <th>Z</th> </tr> </thead> <tbody> <tr> <td>$\leq a$</td> <td>裂紋進入 VA 區(Crack can't enter viewing area)</td> <td>$\leq 1/2t$</td> </tr> <tr> <td>$\leq a$</td> <td>裂紋超過 SP 一半的寬度(Crack can't exceed the half of SP width)</td> <td>$1/2t < Z \leq 2t$</td> </tr> </tbody> </table> <p>3.1.2.邊角破損(Corner crack) :</p> 	X	Y	Z	$\leq a$	裂紋進入 VA 區(Crack can't enter viewing area)	$\leq 1/2t$	$\leq a$	裂紋超過 SP 一半的寬度(Crack can't exceed the half of SP width)	$1/2t < Z \leq 2t$	次缺 (Min)
X	Y	Z										
$\leq a$	裂紋進入 VA 區(Crack can't enter viewing area)	$\leq 1/2t$										
$\leq a$	裂紋超過 SP 一半的寬度(Crack can't exceed the half of SP width)	$1/2t < Z \leq 2t$										

項次 (No)	檢驗項目(Inspection item)	檢驗標準(Inspection Standard)	缺陷等級 (Defect Level)										
3	玻璃裂紋(The crack of glass)	<table border="1"> <thead> <tr> <th>X</th> <th>Y</th> <th>Z</th> </tr> </thead> <tbody> <tr> <td>$\leq 1/5a$</td> <td>裂紋進入 VA 區(Crack can't enter viewing area)</td> <td>$\leq 1/2t$</td> </tr> <tr> <td>$\leq 1/5a$</td> <td>裂紋超過 SP 一半的寬度(Crack can't exceed the half of SP width)</td> <td>$1/2t < Z \leq 2t$</td> </tr> </tbody> </table>	X	Y	Z	$\leq 1/5a$	裂紋進入 VA 區(Crack can't enter viewing area)	$\leq 1/2t$	$\leq 1/5a$	裂紋超過 SP 一半的寬度(Crack can't exceed the half of SP width)	$1/2t < Z \leq 2t$	次缺 (Min)	
		X	Y	Z									
		$\leq 1/5a$	裂紋進入 VA 區(Crack can't enter viewing area)	$\leq 1/2t$									
		$\leq 1/5a$	裂紋超過 SP 一半的寬度(Crack can't exceed the half of SP width)	$1/2t < Z \leq 2t$									
<p>3.2.出电极端破损(Protrusion over terminal): 3.2.1.电极垫上破损(Chip on electrode pad):</p>  <table border="1"> <thead> <tr> <th>位置(Position)</th> <th>X</th> <th>Y</th> <th>Z</th> </tr> </thead> <tbody> <tr> <td>正面(Front)</td> <td>$\leq a$</td> <td>$\leq 1/2W$</td> <td>$\leq t$</td> </tr> <tr> <td>背面(Back)</td> <td>$\leq a$</td> <td>$\leq W$</td> <td>$\leq 1/2t$</td> </tr> </tbody> </table>	位置(Position)	X	Y	Z	正面(Front)	$\leq a$	$\leq 1/2W$	$\leq t$	背面(Back)	$\leq a$	$\leq W$	$\leq 1/2t$	
位置(Position)	X	Y	Z										
正面(Front)	$\leq a$	$\leq 1/2W$	$\leq t$										
背面(Back)	$\leq a$	$\leq W$	$\leq 1/2t$										
<p>3.2.2.出電極端非電極破損(Non-conductive portion):</p>  <table border="1"> <thead> <tr> <th>X</th> <th>Y</th> <th>Z</th> </tr> </thead> <tbody> <tr> <td>$\leq 1/3a$</td> <td>$\leq W$</td> <td>$\leq t$</td> </tr> </tbody> </table>	X	Y	Z	$\leq 1/3a$	$\leq W$	$\leq t$							
X	Y	Z											
$\leq 1/3a$	$\leq W$	$\leq t$											
<p>備註(Note): 如果破碎部分觸及 ITO 電極則不可超過 ITO 電極寬度的 1/3，且必須進行通電測試，不可影響顯示效果(If the chipped area touches the ITO terminal, over 2/3 of the ITO must remain and be inspected according to electrode terminal specifications).</p> <p>3.2.3.玻璃破損(Glass remain) :</p>  <table border="1"> <thead> <tr> <th>X</th> <th>Y</th> <th>Z</th> </tr> </thead> <tbody> <tr> <td>$\leq a$</td> <td>$\leq 1/3W$</td> <td>$\leq t$</td> </tr> </tbody> </table>	X	Y	Z	$\leq a$	$\leq 1/3W$	$\leq t$							
X	Y	Z											
$\leq a$	$\leq 1/3W$	$\leq t$											

項次 (No)	檢驗項目(Inspection item)	檢驗標準(Inspection Standard)			缺陷等級 (Defect Level)																														
4	黑點、白點異物 (Black or white dot)Round type 	4.1 Round type: <table border="1" data-bbox="533 248 1284 752"> <thead> <tr> <th>尺寸 (Size)</th> <th colspan="2">判定標準(Judging standard)</th> <th>允收數量 (Acceptance(Q'ty))</th> </tr> </thead> <tbody> <tr> <td colspan="4" style="text-align: center;">Non-display:</td> </tr> <tr> <td rowspan="2">7.0"</td> <td colspan="2">D ≤ 0.30mm</td> <td>忽略不計(Ignore)</td> </tr> <tr> <td colspan="2">0.30mm < D ≤ 0.5mm Distance ≥ 0.5mm</td> <td>N ≤ 4</td> </tr> <tr> <td colspan="4" style="text-align: center;">Display :</td> </tr> <tr> <td rowspan="3">7.0"</td> <td colspan="2">D ≤ 0.25mm</td> <td>忽略不計(Ignore)</td> </tr> <tr> <td colspan="2">0.25mm < D ≤ 0.5mm</td> <td>N ≤ 4</td> </tr> <tr> <td colspan="2">D > 0.5mm</td> <td>N ≤ 0</td> </tr> </tbody> </table>			尺寸 (Size)	判定標準(Judging standard)		允收數量 (Acceptance(Q'ty))	Non-display:				7.0"	D ≤ 0.30mm		忽略不計(Ignore)	0.30mm < D ≤ 0.5mm Distance ≥ 0.5mm		N ≤ 4	Display :				7.0"	D ≤ 0.25mm		忽略不計(Ignore)	0.25mm < D ≤ 0.5mm		N ≤ 4	D > 0.5mm		N ≤ 0	次缺 (Min)	
尺寸 (Size)	判定標準(Judging standard)		允收數量 (Acceptance(Q'ty))																																
Non-display:																																			
7.0"	D ≤ 0.30mm		忽略不計(Ignore)																																
	0.30mm < D ≤ 0.5mm Distance ≥ 0.5mm		N ≤ 4																																
Display :																																			
7.0"	D ≤ 0.25mm		忽略不計(Ignore)																																
	0.25mm < D ≤ 0.5mm		N ≤ 4																																
	D > 0.5mm		N ≤ 0																																
5	刮痕、線狀異物 (scratch、contamination) Line type 	5.2 Line type: (display): <table border="1" data-bbox="533 837 1284 1491"> <thead> <tr> <th rowspan="2">尺寸 (Size)</th> <th colspan="2">判定標準(Judging standard)</th> <th rowspan="2">允收數量 (Acceptance(Q'ty))</th> </tr> <tr> <th>W</th> <th>L</th> </tr> </thead> <tbody> <tr> <td rowspan="3">7.0"</td> <td>W ≤ 0.01mm</td> <td>—</td> <td>忽略不計(Ignore)</td> </tr> <tr> <td>0.01mm < W ≤ 0.05mm</td> <td>L ≤ 5mm</td> <td>N ≤ 4</td> </tr> <tr> <td>W > 0.05mm</td> <td>L > 5mm</td> <td>N ≤ 0</td> </tr> <tr> <td colspan="4" style="text-align: center;">Non-display</td> </tr> <tr> <td rowspan="3">7.0"</td> <td>W ≤ 0.01mm</td> <td>—</td> <td>忽略不計(Ignore)</td> </tr> <tr> <td>0.07mm < W ≤ 0.1mm</td> <td>L ≤ 5mm</td> <td>N ≤ 4</td> </tr> <tr> <td colspan="2"></td> <td></td> </tr> </tbody> </table>			尺寸 (Size)	判定標準(Judging standard)		允收數量 (Acceptance(Q'ty))	W	L	7.0"	W ≤ 0.01mm	—	忽略不計(Ignore)	0.01mm < W ≤ 0.05mm	L ≤ 5mm	N ≤ 4	W > 0.05mm	L > 5mm	N ≤ 0	Non-display				7.0"	W ≤ 0.01mm	—	忽略不計(Ignore)	0.07mm < W ≤ 0.1mm	L ≤ 5mm	N ≤ 4				次缺 (Min)
尺寸 (Size)	判定標準(Judging standard)		允收數量 (Acceptance(Q'ty))																																
	W	L																																	
7.0"	W ≤ 0.01mm	—	忽略不計(Ignore)																																
	0.01mm < W ≤ 0.05mm	L ≤ 5mm	N ≤ 4																																
	W > 0.05mm	L > 5mm	N ≤ 0																																
Non-display																																			
7.0"	W ≤ 0.01mm	—	忽略不計(Ignore)																																
	0.07mm < W ≤ 0.1mm	L ≤ 5mm	N ≤ 4																																
6	POL 氣泡(Polarizer Bubble)	<table border="1" data-bbox="533 1563 1284 2011"> <thead> <tr> <th>視區(area)</th> <th>判定標準(Judging standard)</th> <th>允收數量 (Acceptance(Q'ty))</th> </tr> </thead> <tbody> <tr> <td rowspan="3">A 區 (Viewing area)</td> <td>D < 0.3 mm</td> <td>忽略不計(Ignore)</td> </tr> <tr> <td>0.3mm < D ≤ 0.5mm</td> <td>N ≤ 4</td> </tr> <tr> <td>Distance ≥ 0.5mm</td> <td></td> </tr> </tbody> </table>			視區(area)	判定標準(Judging standard)	允收數量 (Acceptance(Q'ty))	A 區 (Viewing area)	D < 0.3 mm	忽略不計(Ignore)	0.3mm < D ≤ 0.5mm	N ≤ 4	Distance ≥ 0.5mm		次缺 (Min)																				
視區(area)	判定標準(Judging standard)	允收數量 (Acceptance(Q'ty))																																	
A 區 (Viewing area)	D < 0.3 mm	忽略不計(Ignore)																																	
	0.3mm < D ≤ 0.5mm	N ≤ 4																																	
	Distance ≥ 0.5mm																																		

項次 (No)	檢驗項目(Inspection item)	檢驗標準(Inspection Standard)	缺陷等級 (Defect Level)																			
7	POL 折痕&分層(The folding and peeled off in polarizer)	偏光片不可有折痕和分層（脫膠）的現象(The folding and peeled off in polarizer are not acceptable). 距離邊緣 0.5mm 不管控(Distance from the edge of 0.5mm regardless of control)	次缺 (Min)																			
8	輝度及均勻性、色度(Brightness and uniformity、Chroma)	應符合規範或圖紙要求規格(Shall be in accordance with the drawings and specification requirements specifications).	主缺 (Maj)																			
9	MURA	(5% ND Filter) Gray scale 灰階 50%																				
10	電性測試 (Electrical Testing)	1.顯示缺畫(Missing line character and icon). 2.無功能與無顯示(No function or no display). 3.顯示故障(Display malfunction). 4.LCD 視角缺陷(LCD viewing angle defect). 5.消耗電流超出規格(Current consumption exceeds product specifications).	主缺 (Maj)																			
11	<p>亮點(相鄰亮點)、暗點 (Bright dot(Adjacent bright dot)、Dark dot)On-display Pixel: 3 dot in 1 pixel</p>  <p>亮點與連續亮點允收總數量及尺寸請參閱亮點判定標準 Please refer to the bright dot judgment standard for the total number and size of bright dot and adjacent bright dots allowed.</p>	<table border="1"> <thead> <tr> <th>尺寸 (Size)</th> <th>Item</th> <th>判定標準(Judging standard)</th> <th>允收數量 (Acceptance(Q'ty))</th> </tr> </thead> <tbody> <tr> <td rowspan="5">7.0"</td> <td rowspan="2">Bright dot</td> <td>$D \leq 1/2 \text{ Pixel}$</td> <td>忽略不計(Ignore)</td> </tr> <tr> <td>$1/2 \text{ Pixel} < D \leq 1 \text{ Pixel}$</td> <td>$N \leq 2$</td> </tr> <tr> <td rowspan="2">Dark dot</td> <td>$D \leq 1/2 \text{ Pixel}$</td> <td>忽略不計(Ignore)</td> </tr> <tr> <td>$1/2 \text{ Pixel} < D \leq 1 \text{ Pixel}$</td> <td>$N \leq 3$</td> </tr> <tr> <td colspan="2">Total</td> <td></td> <td>$N \leq 4$</td> </tr> </tbody> </table>	尺寸 (Size)	Item	判定標準(Judging standard)	允收數量 (Acceptance(Q'ty))	7.0"	Bright dot	$D \leq 1/2 \text{ Pixel}$	忽略不計(Ignore)	$1/2 \text{ Pixel} < D \leq 1 \text{ Pixel}$	$N \leq 2$	Dark dot	$D \leq 1/2 \text{ Pixel}$	忽略不計(Ignore)	$1/2 \text{ Pixel} < D \leq 1 \text{ Pixel}$	$N \leq 3$	Total			$N \leq 4$	次缺 (Min)
尺寸 (Size)	Item	判定標準(Judging standard)	允收數量 (Acceptance(Q'ty))																			
7.0"	Bright dot	$D \leq 1/2 \text{ Pixel}$	忽略不計(Ignore)																			
		$1/2 \text{ Pixel} < D \leq 1 \text{ Pixel}$	$N \leq 2$																			
	Dark dot	$D \leq 1/2 \text{ Pixel}$	忽略不計(Ignore)																			
		$1/2 \text{ Pixel} < D \leq 1 \text{ Pixel}$	$N \leq 3$																			
	Total			$N \leq 4$																		



1、Panel Specification :

- 1. Panel Type : Pass NG , _____
- 2. View Direction : Pass NG , _____
- 3. Numbers of Dots : Pass NG , _____
- 4. View Area : Pass NG , _____
- 5. Active Area : Pass NG , _____
- 6. Operating Temperature : Pass NG , _____
- 7. Storage Temperature : Pass NG , _____
- 8. Others : _____

2、Mechanical

- 1. PCB Size : Pass NG , _____
- 2. Frame Size : Pass NG , _____
- 3. Material of Frame : Pass NG , _____
- 4. Connector Position : Pass NG , _____
- 5. Fix Hole Position : Pass NG , _____
- 6. Backlight Position : Pass NG , _____
- 7. Thickness of PCB : Pass NG , _____
- 8. Height of Frame to PCB : Pass NG , _____
- 9. Height of Module : Pass NG , _____
- 10. Others : Pass NG , _____

3、Relative Hole Size :

- 1. Pitch of Connector : Pass NG , _____
- 2. Hole size of Connector : Pass NG , _____
- 3. Mounting Hole size : Pass NG , _____
- 4. Mounting Hole Type : Pass NG , _____
- 5. Others : Pass NG , _____

4、Backlight Specification :

- 1. B/L Type : Pass NG , _____
- 2. B/L Color : Pass NG , _____
- 3. B/L Driving Voltage (Reference for LED) : Pass NG , _____
- 4. B/L Driving Current : Pass NG , _____
- 5. Brightness of B/L : Pass NG , _____
- 6. B/L Solder Method : Pass NG , _____
- 7. Others : Pass NG , _____

>> **Go to page 2** <<



5、Electronic Characteristics of Module :

- 1. Input Voltage : Pass NG , _____
- 2. Supply Current : Pass NG , _____
- 3. Driving Voltage for LCD : Pass NG , _____
- 4. Contrast for LCD : Pass NG , _____
- 5. B/L Driving Method : Pass NG , _____
- 6. Negative Voltage Output : Pass NG , _____
- 7. Interface Function : Pass NG , _____
- 8. LCD Uniformity : Pass NG , _____
- 9. ESD test : Pass NG , _____
- 10. Others : Pass NG , _____

6、Summary :

Sales signature : _____

Customer Signature : _____

Date : / / _____