



WINSTAR Display Co.,Ltd.
華凌光電股份有限公司



Winstar Display Co., LTD

華凌光電股份有限公司



WEB: <https://www.winstar.com.tw> E-mail: sales@winstar.com.tw

SPECIFICATION

CUSTOMER : _____

MODULE NO.: WF57WTLECDNT0#

| | |
|---|--|
| <p>APPROVED BY:</p> <p>(FOR CUSTOMER USE ONLY)</p> | <p>PCB VERSION: _____</p> <p>DATA: _____</p> |
|---|--|

| SALES BY | APPROVED BY | CHECKED BY | PREPARED BY |
|--------------------------------|-------------|------------|-------------|
| | | | 葉虹蘭 |
| ISSUED DATE: 2023/02/14 | | | |

TFT Display Inspection Specification: <https://www.winstar.com.tw/technology/download.html>

Precaution in use of TFT module: <https://www.winstar.com.tw/technology/download/declaration.html>



RECORDS OF REVISION

DOC. FIRST ISSUE

| VERSION | DATE | REVISED PAGE NO. | SUMMARY |
|---------|------------|---------------------|-------------|
| 0 | 2023/02/14 | | First issue |

WINSTAR DISPLAY Co., Ltd.

Contents

1.Module Classification Information

2.Summary

3.General Specifications

4.Absolute Maximum Ratings

5.Electrical Characteristics

6.Timing Characteristics

7.Optical Characteristics

8.Interface

9.Block Diagram

10.Reliability

11.Touch Panel Information

12.Contour Drawing

13.Other

1.Module Classification Information

W F 57 W T L E C D N T 0 #
 ① ② ③ ④ ⑤ ⑥ ⑦ ⑧ ⑨ ⑩ ⑪ ⑫ ⑬

| | | | | | | | | | | | | |
|---|---|---|--|---------|---|--|----|------------------------------------|---------------|--------------------------------|---|---------|
| ① | Brand : WINSTAR DISPLAY CORPORATION | | | | | | | | | | | |
| ② | Display Type : F→TFT Type, J→Custom TFT | | | | | | | | | | | |
| ③ | Display Size : 5.7" TFT | | | | | | | | | | | |
| ④ | Model serials no. | | | | | | | | | | | |
| ⑤ | Backlight Type : | F→CCFL, White S→LED, High Light White | | | | T→LED, White Z→Nichia LED, White | | | | | | |
| ⑥ | LCD Polarize Type/ Temperature range/ Gray Scale Inversion Direction | A→Transmissive, N.T, IPS TFT C→Transmissive, N. T, 6:00 ; F→Transmissive, N.T,12:00 ; I→Transmissive, W. T, 6:00 K→Transflective, W.T,12:00 L→Transmissive, W.T,12:00 N→Transmissive, Super W.T, 6:00 | | | | Q→Transmissive, Super W.T, 12:00 R→Transmissive, Super W.T, O-TFT V→Transmissive, Super W.T, VA TFT W→Transmissive, Super W.T, IPS TFT X→Transmissive, W.T, VA TFT Y→Transmissive, W.T, IPS TFT Z→Transmissive, W.T, O-TFT | | | | | | |
| ⑦ | A : TFT LCD B : TFT+SCREW HOLES+CONTROL BOARD C : TFT+ SCREW HOLES +A/D BOARD D : TFT+ SCREW HOLES +A/D BOARD+CONTROL BOARD E : TFT+ SCREW HOLES +POWER BOARD | | | | F : TFT+CONTROL BOARD G : TFT+ SCREW HOLES H : TFT+D/V BOARD I : TFT+ SCREW HOLES +D/V BOARD J : TFT+POWER BD | | | | | | | |
| ⑧ | Resolution: | | | | | | | | | | | |
| | A | 128160 | B | 320234 | C | 320240 | D | 480234 | E | 480272 | F | 640480 |
| | G | 800480 | H | 1024600 | I | 320480 | J | 240320 | K | 800600 | L | 240400 |
| | M | 1024768 | N | 128128 | P | 1280800 | Q | 480800 | R | 640320 | S | 480128 |
| | T | 800320 | U | 8001280 | V | 176220 | W | 1280398 | X | 1024250 | Y | 1920720 |
| | Z | 800200 | 2 | 1024324 | 3 | 7201280 | 4 | 19201200 | 5 | 1366768 | 6 | 1280320 |
| ⑨ | D: Digital L : LVDS M:MIPI | | | | | | | | | | | |
| ⑩ | Interface: | | | | | | | | | | | |
| | N | Without control board | | | A | 8Bit | | B | 16Bit | | H | HDMI |
| | I | I2C Interface | | | R | RS232 | | S | SPI Interface | | U | USB |
| ⑪ | TS: | | | | | | | | | | | |
| | N | Without TS | | | T | Resistive touch panel | | | C | Capacitive touch panel (G-F-F) | | |
| | G | Capacitive touch panel (G-G) | | | | | C1 | Capacitive touch panel (G-F-F)+OCA | | | | |
| | C2 | Capacitive touch panel (G-F-F)+OCR | | | | | G1 | Capacitive touch panel (G-G)+OCA | | | | |
| | G2 | Capacitive touch panel (G-G)+OCR | | | | | B | CTP+GG+USB | | | | |
| ⑫ | Version: X:Raspberry pi | | | | | | | | | | | |
| ⑬ | Special Code | | #:Fit in with ROHS directive regulations | | | | | | | | | |

| | | |
|--|--|--|
| | | |
|--|--|--|

WINSTAR DISPLAY Co., Ltd.

2.Summary

TFT 5.7” is a TN transmissive type color active matrix TFT liquid crystal display that use amorphous silicon TFT as switching devices. This module is a composed of a TFT_LCD module, It is usually designed for industrial application and this module follows RoHs.

WINSTAR DISPLAY Co., Ltd.

3. General Specifications

| Item | Dimension | Unit |
|--------------------------------|-----------------------------------|------|
| Size | 5.7 | inch |
| Dot Matrix | 320 x RGBx240(TFT) | dots |
| Module dimension | 143.5 x 104.1 x 13.85 | mm |
| Active area | 115.2 x 86.4 | mm |
| Dot pitch | 0.12 x 0.36 | mm |
| LCD type | TFT, Normally White, Transmissive | |
| Drive IC | HX8218+HX8615 or equivalent | |
| Interface | 18-bit RGB | |
| View Direction | 6 o'clock | |
| Gray Scale Inversion Direction | 12 o'clock | |
| Aspect Ratio | 4:3 | |
| Backlight Type | LED, Normally White | |
| With /Without TP | With RTP | |
| Surface | Anti-Glare | |

*Color tone slight changed by temperature and driving voltage.

4. Absolute Maximum Ratings

| Item | Symbol | Min | Typ | Max | Unit |
|-----------------------|--------|-----|-----|-----|------|
| Operating Temperature | TOP | -20 | — | +70 | °C |
| Storage Temperature | TST | -30 | — | +80 | °C |

Note: Device is subject to be damaged permanently if stresses beyond those absolute maximum ratings listed above

1. Temp. $\leq 60^{\circ}\text{C}$, 90% RH MAX. Temp. $> 60^{\circ}\text{C}$, Absolute humidity shall be less than 90% RH at 60°C

WINSTAR DISPLAY Co., Ltd

5. Electrical Characteristics

5.1. Operating conditions:

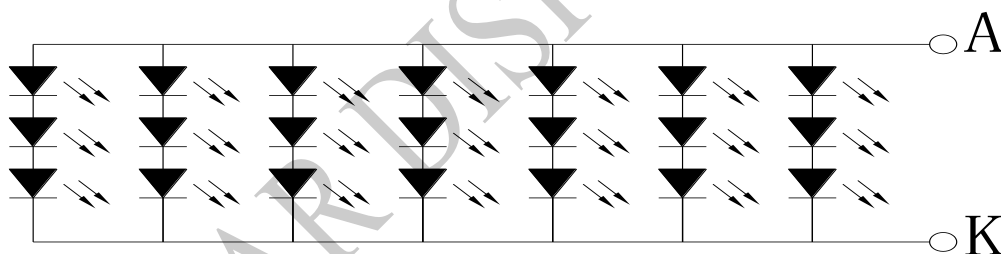
| Item | Symbol | Condition | Min | Typ | Max | Unit | Remark |
|------------------------|--------|-----------|-----|-----|-----|------|----------|
| Supply Voltage For LCM | VCC | — | 3.0 | 3.3 | 3.6 | V | |
| Supply Current For LCM | ICC | — | — | 110 | 170 | mA | Note1 |
| Power Consumption | — | — | — | 363 | 612 | mW | VCC=3.3V |

Note 1 : This value is test for VCC=3.3V , Ta=25 °C only

5.2. LED driving conditions

| Parameter | Symbol | Min. | Typ. | Max. | Unit | Remark |
|-------------------|--------|------|--------|------|------|------------|
| LED current | | - | 140 | - | mA | |
| Power Consumption | | 1260 | - | 1470 | mW | |
| LED voltage | VBL+ | 9.0 | - | 10.5 | V | Note 1 |
| LED Life Time | | - | 50,000 | - | Hr | Note 2,3,4 |

Note 1 : There are 1 Groups LED



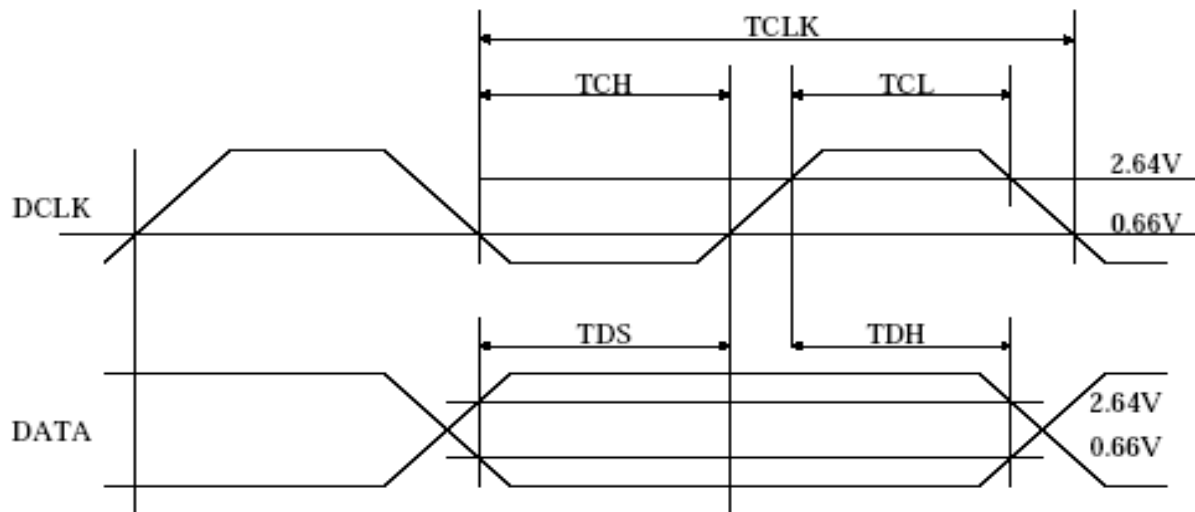
Note 2 : Ta = 25 °C

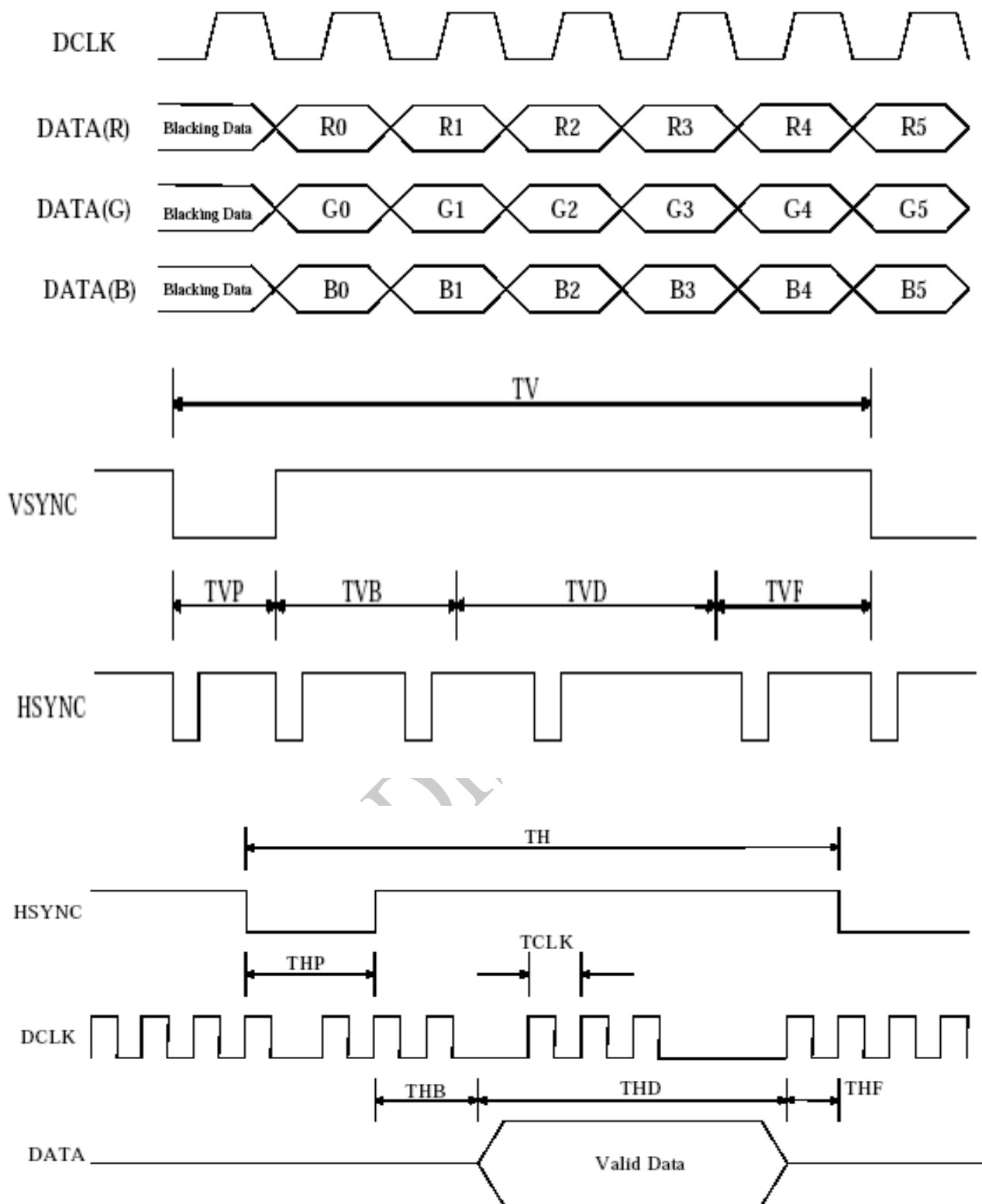
Note 3 : Brightness to be decreased to 50% of the initial value

Note 4 : The single LED lamp case

6. Timing Characteristics

| Signal | Item | Symbol | Min. | Typ. | Max. | Unit | |
|--------|----------------|--------|------|-------|-------|------|------|
| Dclk | Frequency | Dclk | - | 6.4 | - | MHZ | |
| | High time | Tch | - | 78 | - | ns | |
| | Low time | Tcl | - | 78 | - | ns | |
| Data | Setup time | Tds | 12 | - | - | ns | |
| | Hold time | Tdh | 12 | - | - | ns | |
| Hsync | Period | TH | - | 408 | - | DCLK | |
| | Pulse Width | Thp | - | 30 | - | DCLK | |
| | Back-Porch | Thb | - | 38 | - | DCLK | |
| | Display Period | Thd | - | 320 | - | DCLK | |
| | Front-Porch | Thf | - | 20 | - | DCLK | |
| Vsync | Period | NTSC | TV | - | 262.5 | - | DCLK |
| | | PAL | | 312.5 | | | |
| | Pulse Width | | Tvp | 1 | 3 | 5 | TH |
| | Back-Porch | NTSC | Tvb | - | 15 | - | TH |
| | | PAL | | 23 | | | |
| | Display Period | | Tvd | - | 240 | - | TH |
| | Front-Porch | NTSC | Tvf | - | 4.5 | - | TH |
| | | PAL | | 46.5 | | | |





6.1. Basic Display Color and Gray Scale

| | Color & Gray scale | Data signal | | | | | | | | | | | | | | | | | | |
|---------------------|--------------------|-------------|----|----|----|----|----|----|----|----|----|----|----|----|----|----|----|----|----|----|
| | | Gray Scale | R0 | R1 | R2 | R3 | R4 | R5 | G0 | G1 | G2 | G3 | G4 | G5 | B0 | B1 | B2 | B3 | B4 | B5 |
| Basic color | Black | - | 0 | 0 | 0 | 0 | 0 | 0 | 0 | 0 | 0 | 0 | 0 | 0 | 0 | 0 | 0 | 0 | 0 | 0 |
| | Blue | - | 0 | 0 | 0 | 0 | 0 | 0 | 0 | 0 | 0 | 0 | 0 | 0 | 1 | 1 | 1 | 1 | 1 | 1 |
| | Green | - | 0 | 0 | 0 | 0 | 0 | 0 | 1 | 1 | 1 | 1 | 1 | 1 | 0 | 0 | 0 | 0 | 0 | 0 |
| | Cyan | - | 0 | 0 | 0 | 0 | 0 | 0 | 1 | 1 | 1 | 1 | 1 | 1 | 1 | 1 | 1 | 1 | 1 | 1 |
| | Red | - | 1 | 1 | 1 | 1 | 1 | 1 | 0 | 0 | 0 | 0 | 0 | 0 | 0 | 0 | 0 | 0 | 0 | 0 |
| | Magenta | - | 1 | 1 | 1 | 1 | 1 | 1 | 0 | 0 | 0 | 0 | 0 | 0 | 1 | 1 | 1 | 1 | 1 | 1 |
| | Yellow | - | 1 | 1 | 1 | 1 | 1 | 1 | 1 | 1 | 1 | 1 | 1 | 1 | 0 | 0 | 0 | 0 | 0 | 0 |
| | White | - | 1 | 1 | 1 | 1 | 1 | 1 | 1 | 1 | 1 | 1 | 1 | 1 | 1 | 1 | 1 | 1 | 1 | 1 |
| Gray Scale of red | Black | CS0 | 0 | 0 | 0 | 0 | 0 | 0 | 0 | 0 | 0 | 0 | 0 | 0 | 0 | 0 | 0 | 0 | 0 | 0 |
| | Darker | CS1 | 1 | 0 | 0 | 0 | 0 | 0 | 0 | 0 | 0 | 0 | 0 | 0 | 0 | 0 | 0 | 0 | 0 | 0 |
| | | CS2 | 0 | 1 | 0 | 0 | 0 | 0 | 0 | 0 | 0 | 0 | 0 | 0 | 0 | 0 | 0 | 0 | 0 | 0 |
| | | ▽ | | | ▽ | | | | | ▽ | | | | | ▽ | | | | | |
| | | ▽ | | | ▽ | | | | | ▽ | | | | | ▽ | | | | | |
| | Brighter | CS61 | 1 | 0 | 1 | 1 | 1 | 1 | 0 | 0 | 0 | 0 | 0 | 0 | 0 | 0 | 0 | 0 | 0 | 0 |
| | | CS62 | 0 | 1 | 1 | 1 | 1 | 1 | 0 | 0 | 0 | 0 | 0 | 0 | 0 | 0 | 0 | 0 | 0 | 0 |
| | Red | CS63 | 1 | 1 | 1 | 1 | 1 | 1 | 0 | 0 | 0 | 0 | 0 | 0 | 0 | 0 | 0 | 0 | 0 | 0 |
| Gray Scale of green | Black | CS0 | 0 | 0 | 0 | 0 | 0 | 0 | 0 | 0 | 0 | 0 | 0 | 0 | 0 | 0 | 0 | 0 | 0 | 0 |
| | Darker | CS1 | 0 | 0 | 0 | 0 | 0 | 0 | 1 | 0 | 0 | 0 | 0 | 0 | 0 | 0 | 0 | 0 | 0 | 0 |
| | | CS2 | 0 | 0 | 0 | 0 | 0 | 0 | 0 | 1 | 0 | 0 | 0 | 0 | 0 | 0 | 0 | 0 | 0 | 0 |
| | | ▽ | | | ▽ | | | | | ▽ | | | | | ▽ | | | | | |
| | | ▽ | | | ▽ | | | | | ▽ | | | | | ▽ | | | | | |
| | Brighter | CS61 | 0 | 0 | 0 | 0 | 0 | 0 | 1 | 0 | 1 | 1 | 1 | 1 | 0 | 0 | 0 | 0 | 0 | 0 |
| | | CS62 | 0 | 0 | 0 | 0 | 0 | 0 | 0 | 1 | 1 | 1 | 1 | 1 | 0 | 0 | 0 | 0 | 0 | 0 |
| | Green | CS63 | 0 | 0 | 0 | 0 | 0 | 0 | 1 | 1 | 1 | 1 | 1 | 1 | 0 | 0 | 0 | 0 | 0 | 0 |
| Gray Scale of blue | Black | CS0 | 0 | 0 | 0 | 0 | 0 | 0 | 0 | 0 | 0 | 0 | 0 | 0 | 0 | 0 | 0 | 0 | 0 | 0 |
| | Darker | CS1 | 0 | 0 | 0 | 0 | 0 | 0 | 0 | 0 | 0 | 0 | 0 | 0 | 1 | 0 | 0 | 0 | 0 | 0 |
| | | CS2 | 0 | 0 | 0 | 0 | 0 | 0 | 0 | 0 | 0 | 0 | 0 | 0 | 0 | 1 | 0 | 0 | 0 | 0 |
| | | ▽ | | | ▽ | | | | | ▽ | | | | | ▽ | | | | | |
| | | ▽ | | | ▽ | | | | | ▽ | | | | | ▽ | | | | | |
| | Brighter | CS61 | 0 | 0 | 0 | 0 | 0 | 0 | 0 | 0 | 0 | 0 | 0 | 0 | 1 | 0 | 1 | 1 | 1 | 1 |
| | | CS62 | 0 | 0 | 0 | 0 | 0 | 0 | 0 | 0 | 0 | 0 | 0 | 0 | 0 | 1 | 1 | 1 | 1 | 1 |
| | Blue | CS63 | 0 | 0 | 0 | 0 | 0 | 0 | 0 | 0 | 0 | 0 | 0 | 0 | 1 | 1 | 1 | 1 | 1 | 1 |

7. Optical Characteristics

| Item | Symbol | Condition. | Min | Typ. | Max. | Unit | Remark | |
|---|--------|-----------------------------------|-----------------------------|-------|-------|-------------------|-------------------|--------|
| Response time | Tr+Tf | $\theta=0^\circ$ 、 $\phi=0^\circ$ | | 25 | - | .ms | Note 3 | |
| Contrast ratio | CR | At optimized viewing angle | - | 300 | - | - | Note 4 | |
| Color Chromaticity | White | Wx | $\theta=0^\circ$ 、 $\phi=0$ | 0.267 | 0.317 | 0.367 | Note 2,6,7 | |
| | | Wy | | 0.303 | 0.353 | 0.403 | | |
| Viewing angle (Gray Scale Inversion Direction) | Hor. | Θ_R | CR ≥ 10 | - | 60 | - | Deg. | Note 1 |
| | | Θ_L | | - | 60 | - | | |
| | Ver. | Φ_T | | - | 70 | - | | |
| | | Φ_B | | - | 70 | - | | |
| Brightness | - | - | 280 | 350 | - | cd/m ² | Center of display | |
| Uniformity | (U) | - | 75 | - | - | % | Note 5 | |

Ta=25±2°C, IL=140mA

Note 1: Definition of viewing angle range

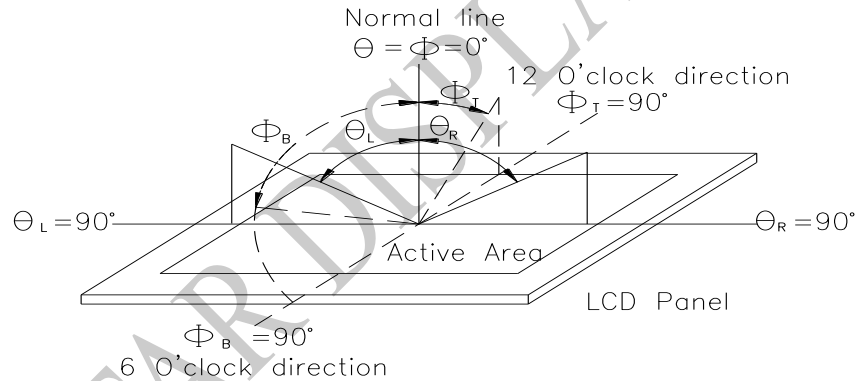


Fig.7.1. Definition of viewing angle

Note 2: Test equipment setup:

After stabilizing and leaving the panel alone at a driven temperature for 10 minutes, the measurement should be executed. Measurement should be executed in a stable, windless, and dark room. Optical specifications are measured by Topcon BM-7orBM-5 luminance meter 1.0° field of view at a distance of 50cm and normal direction.

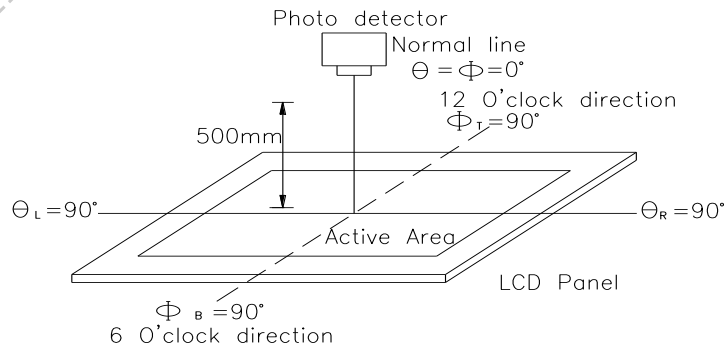
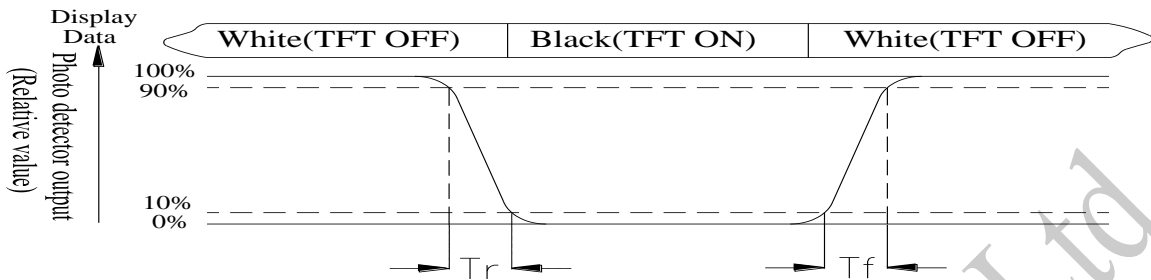


Fig. 7.2. Optical measurement system setup

Note 3: Definition of Response time:

The response time is defined as the LCD optical switching time interval between “White” state and “Black” state. Rise time, T_r , is the time between photo detector output intensity changed from 90% to 10%. And fall time, T_f , is the time between photo detector output intensity changed from 10% to 90%



Note 4: Definition of contrast ratio:

The contrast ratio is defined as the following expression.

$$\text{Contrast ratio (CR)} = \frac{\text{Luminance measured when LCD on the "White" state}}{\text{Luminance measured when LCD on the "Black" state}}$$

Note 5: Definition of Luminance Uniformity

Active area is divided into 9 measuring areas (reference the picture in below). Every measuring point is placed at the center of each measuring area.

$$\text{Luminance Uniformity (U)} = \text{Lmin/Lmax} \times 100\%$$

L = Active area length

W = Active area width

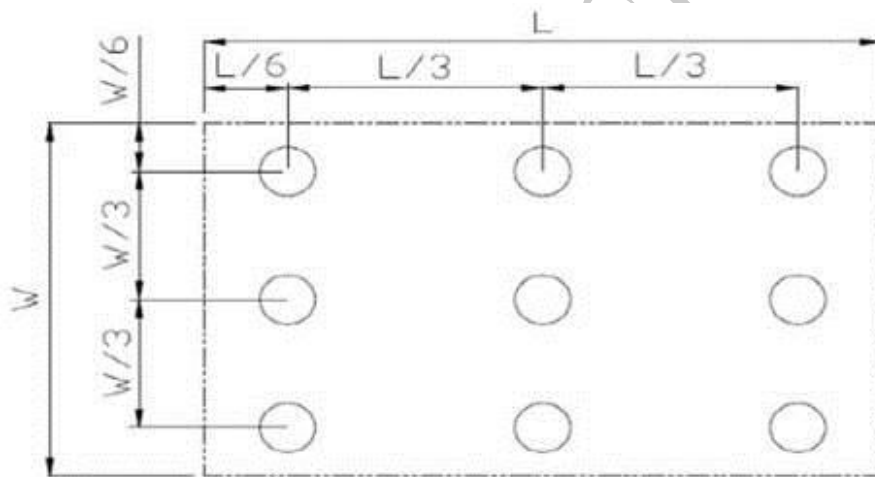


Fig 7.3. Definition of uniformity

Note 6: Definition of color chromaticity (CIE 1931)

Color coordinates measured at the center point of LCD

Note 7: Measured at the center area of the panel when all the input terminals of LCD panel are electrically opened.

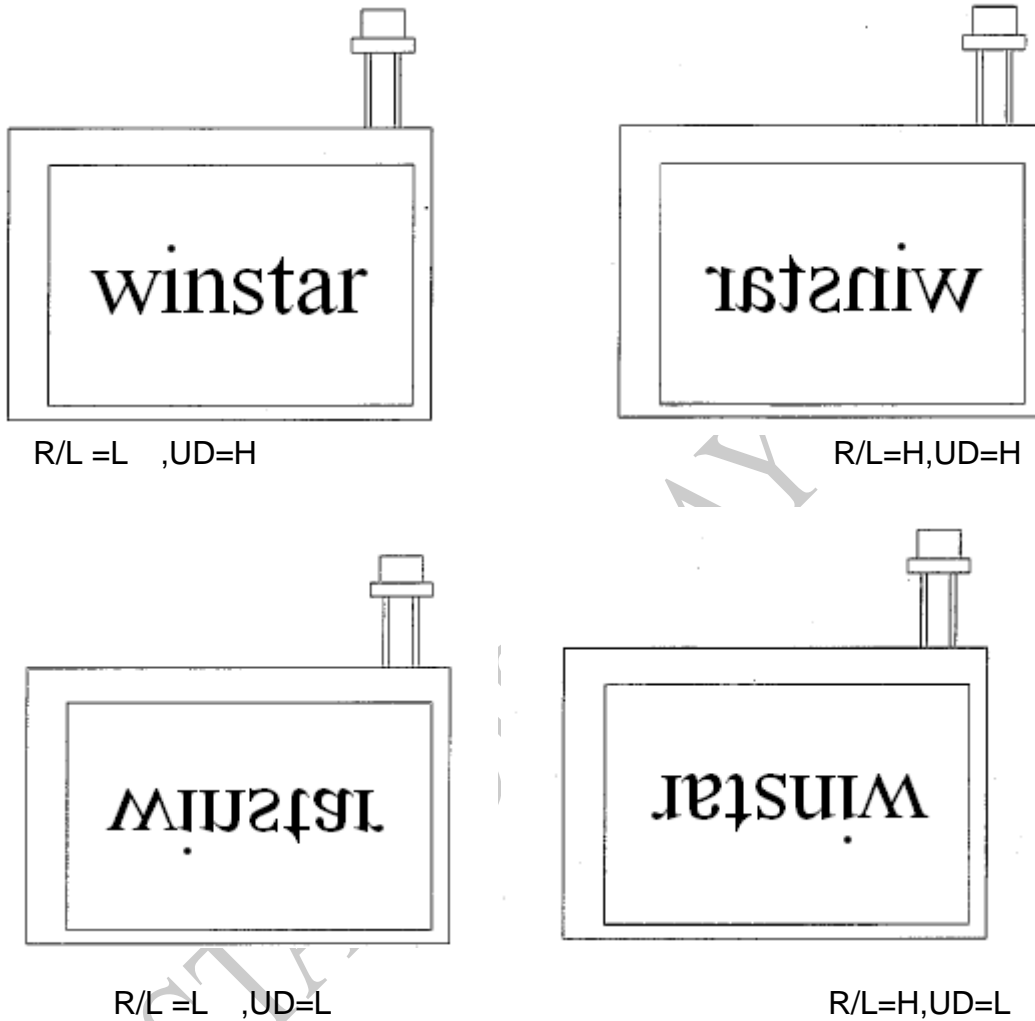
8.Interface

8.1. LCM PIN Definition

| Pin | Symbol | Function | Remark |
|-----|--------|--|--------|
| 1 | GND | Ground | |
| 2 | CK | Clock signal for sampling each data signal(DCLK) | |
| 3 | Hsync | Horizontal synchronous signal | |
| 4 | Vsync | Vertical synchronous signal | |
| 5 | GND | Ground | |
| 6 | R0 | Red Data bit(LSB) | |
| 7 | R1 | Red Data bit | |
| 8 | R2 | Red Data bit | |
| 9 | R3 | Red Data bit | |
| 10 | R4 | Red Data bit | |
| 11 | R5 | Red Data bit(MSB) | |
| 12 | GND | Ground | |
| 13 | G0 | Green Data bit(LSB) | |
| 14 | G1 | Green Data bit | |
| 15 | G2 | Green Data bit | |
| 16 | G3 | Green Data bit | |
| 17 | G4 | Green Data bit | |
| 18 | G5 | Green Data bit(MSB) | |
| 19 | GND | Ground | |
| 20 | B0 | Blue Data bit(LSB) | |
| 21 | B1 | Blue Data bit | |
| 22 | B2 | Blue Data bit | |
| 23 | B3 | Blue Data bit | |
| 24 | B4 | Blue Data bit | |
| 25 | B5 | Blue Data bit(MSB) | |
| 26 | GND | Ground | |
| 27 | NC | No connect | |
| 28 | VCC | +3.3V power supply | |
| 29 | VCC | +3.3V power supply | |
| 30 | R/L | Selection signal for horizontal scanning direction (L: Normally H: Right-and-left reversal) | Note 1 |

| | | | |
|----|-----|---|--------|
| 31 | U/D | Selection signal for vertical scanning direction (H: Normally L: Up-and-Down reversal) | Note 1 |
| 32 | NC | No connect | |
| 33 | GND | Ground | |

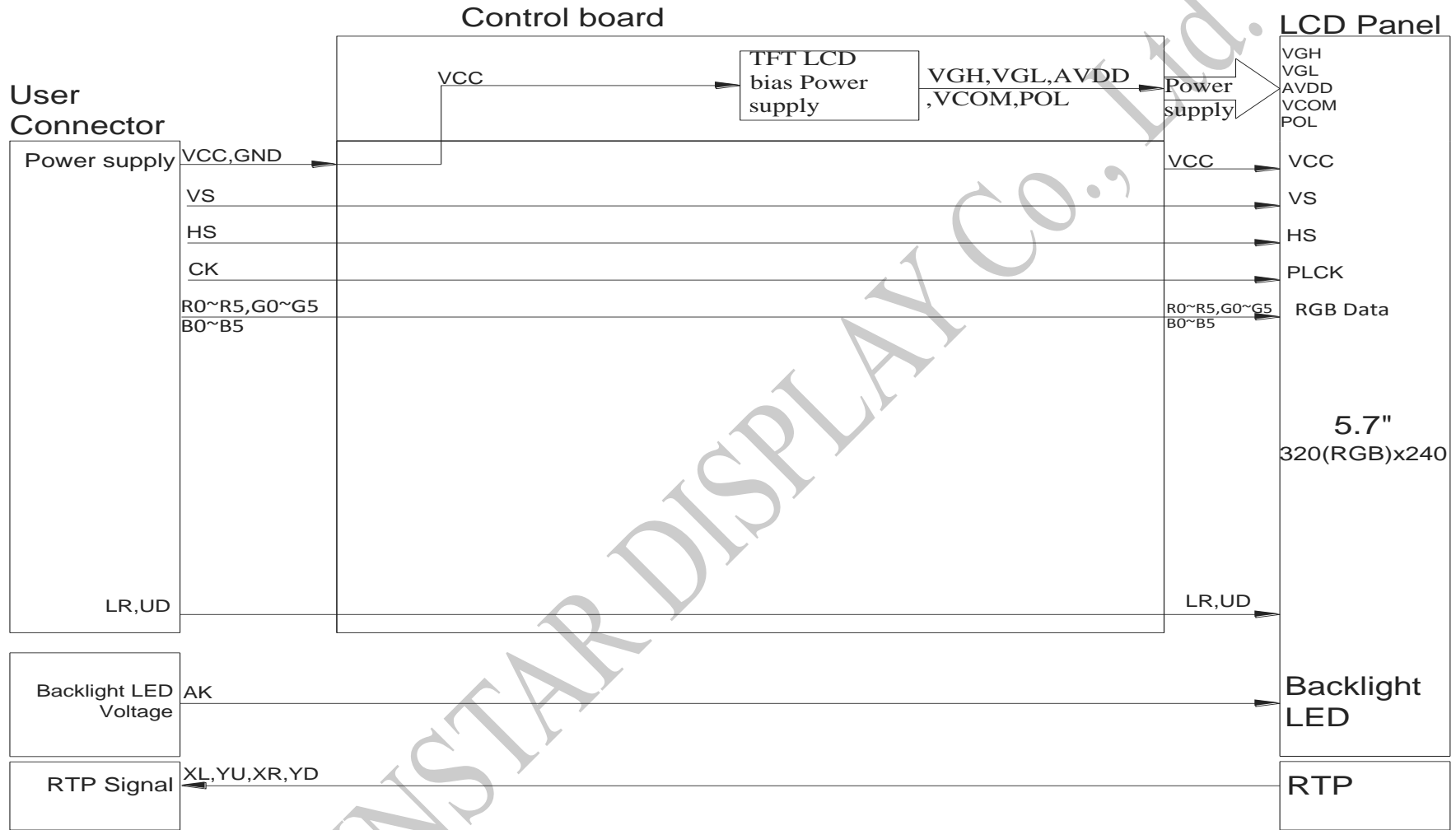
Note1:



8.2. Backlight PIN Definition

| Pin No. | Symbol | Description |
|---------|--------|---------------------|
| 1 | K | Black, LED_ Cathode |
| 2 | NC | No connection |
| 3 | A | Red, LED_ Anode |

9. Block Diagram



10. Reliability

Content of Reliability Test (Wide temperature, -20°C~70°C)

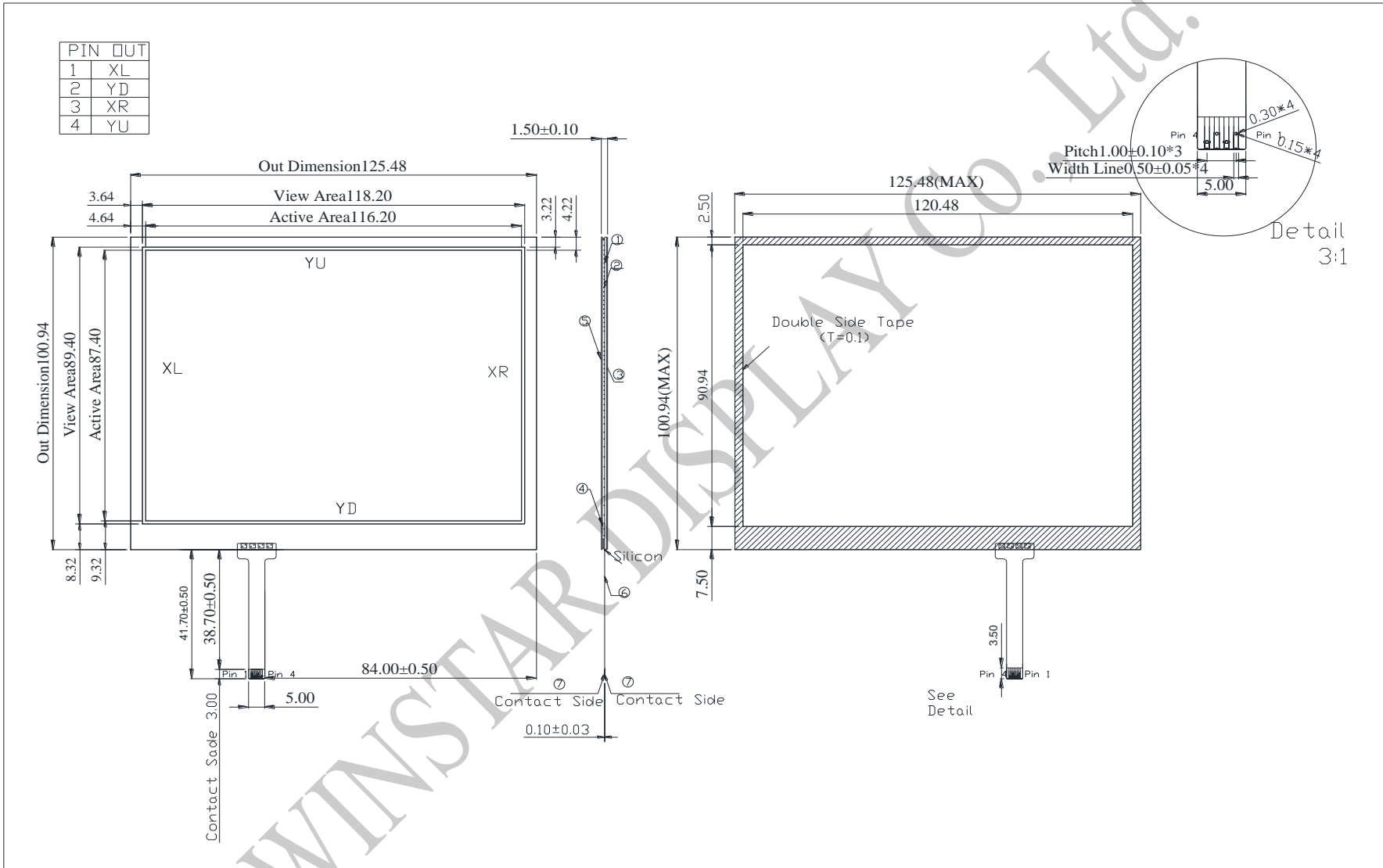
| Environmental Test | | | |
|---|---|--|------|
| Test Item | Content of Test | Test Condition | Note |
| High Temperature storage | Endurance test applying the high storage temperature for a long time. | 80°C 200hrs | 2 |
| Low Temperature storage | Endurance test applying the low storage temperature for a long time. | -30°C 200hrs | 1,2 |
| High Temperature Operation | Endurance test applying the electric stress (Voltage & Current) and the thermal stress to the element for a long time. | 70°C 200hrs | — |
| Low Temperature Operation | Endurance test applying the electric stress under low temperature for a long time. | -20°C 200hrs | 1 |
| High Temperature/ Humidity Operation | The module should be allowed to stand at 60°C,90%RH max | 60°C,90%RH 96hrs | 1,2 |
| Thermal shock resistance | The sample should be allowed stand the following 10 cycles of operation <div style="text-align: center;"> <p style="text-align: center;">-20°C 25°C 70°C</p> <p style="text-align: center;">30min 5min 30min</p> <p style="text-align: center;">1 cycle</p> </div> | -20°C/70°C 10 cycles | — |
| Vibration test | Endurance test applying the vibration during transportation and using. | Total fixed amplitude : 1.5mm Vibration Frequency : 10~55Hz One cycle 60 seconds to 3 directions of X,Y,Z for Each 15 minutes | 3 |
| Static electricity test | Endurance test applying the electric stress to the terminal. | VS=±600V(contact), ±800v(air), RS=330Ω CS=150pF 10 times | — |

Note1: No dew condensation to be observed.

Note2: The function test shall be conducted after 4 hours storage at the normal Temperature and humidity after remove from the test chamber.

Note3: The packing have to including into the vibration testing.

11.Touch Panel Information

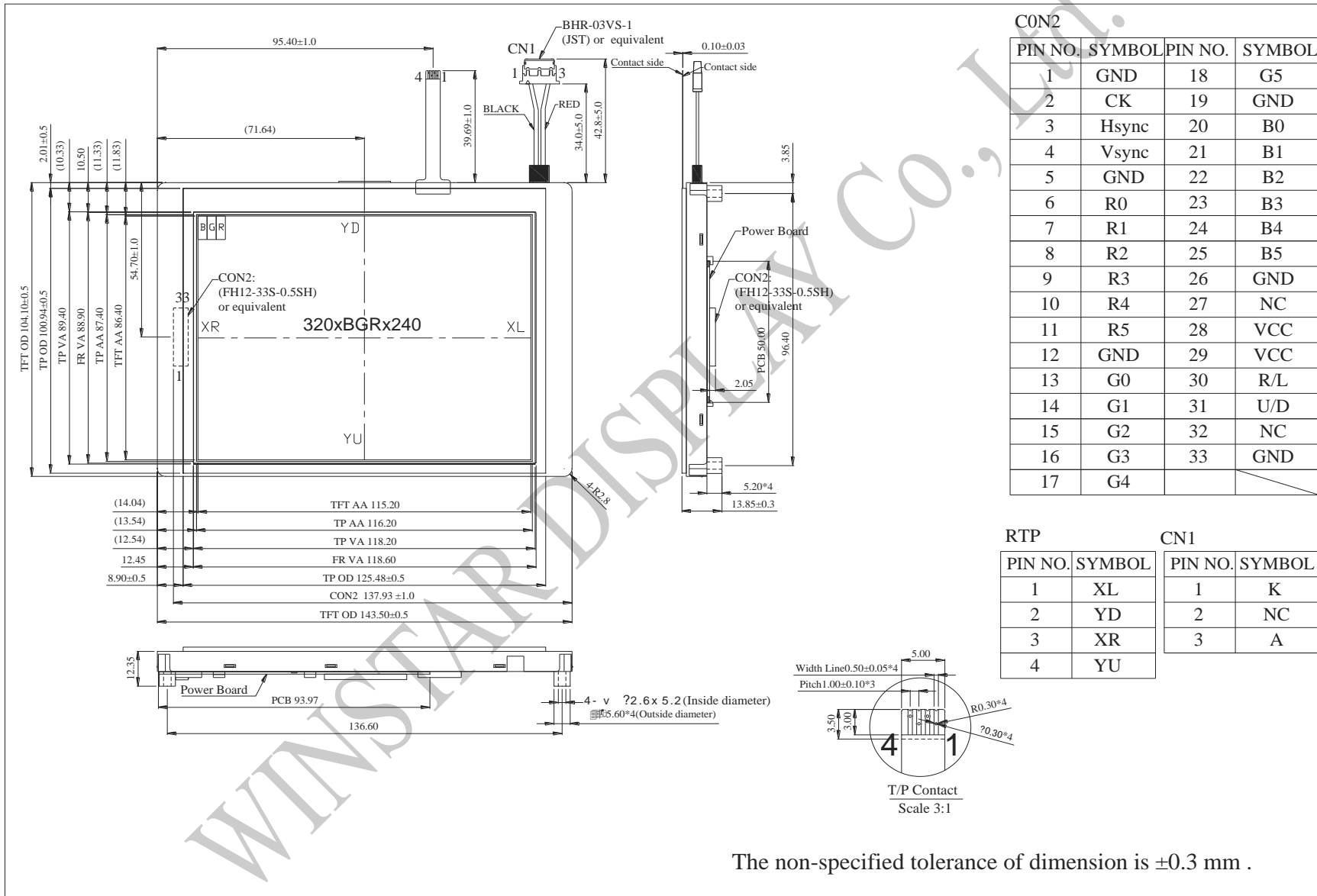


11.1. Resistance Touch Panel General Specifications

| Item | Description |
|---|-------------------------|
| Driving condition | DC5V |
| Operating force | 60~150g |
| Linearity max | $\leq \pm 1.5\%$ |
| Insulating resistance | $> 20M\Omega$, 25V(DC) |
| Light transporence | 70% |
| Structure type | ITO Film/ITO Glass(F/G) |
| Surface Hardness | 3H typ |
| Pen Hitting Durability (with the silicon rubber) | $> 1000,000$ times |
| X Axis resistance | 200~900 Ω |
| Y Axis resistance | 200~900 Ω |

WINSTAR DISPLAY Co., Ltd.

12. Contour Drawing



The non-specified tolerance of dimension is ±0.3 mm .



1、Panel Specification :

- 1. Panel Type : Pass NG , _____
- 2. View Direction : Pass NG , _____
- 3. Numbers of Dots : Pass NG , _____
- 4. View Area : Pass NG , _____
- 5. Active Area : Pass NG , _____
- 6. Operating : Pass NG , _____
- 7. Storage Temperature : Pass NG , _____
- 8. Others : _____

2、Mechanical

- 1. PCB Size : Pass NG , _____
- 2. Frame Size : Pass NG , _____
- 3. Material of Frame : Pass NG , _____
- 4. Connector Position : Pass NG , _____
- 5. Fix Hole Position : Pass NG , _____
- 6. Backlight Position : Pass NG , _____
- 7. Thickness of PCB : Pass NG , _____
- 8. Height of Frame to PCB : Pass NG , _____
- 9. Height of Module : Pass NG , _____
- 10. Others : Pass NG , _____

3、Relative Hole Size :

- 1. Pitch of Connector : Pass NG , _____
- 2. Hole size of Connector : Pass NG , _____
- 3. Mounting Hole size : Pass NG , _____
- 4. Mounting Hole Type : Pass NG , _____
- 5. Others : Pass NG , _____

4、Backlight Specification :

- 1. B/L Type : Pass NG , _____
- 2. B/L Color : Pass NG , _____
- 3. B/L Driving Voltage (Reference for LED) : Pass NG , _____
- 4. B/L Driving Current : Pass NG , _____
- 5. Brightness of B/L : Pass NG , _____
- 6. B/L Solder Method : Pass NG , _____
- 7. Others : Pass NG , _____



Winstar Module Number : _____

Page: 2

5、Electronic Characteristics of Module :

- | | | |
|------------------------------|-------------------------------|-------------------------------------|
| 1. Input Voltage : | <input type="checkbox"/> Pass | <input type="checkbox"/> NG , _____ |
| 2. Supply Current : | <input type="checkbox"/> Pass | <input type="checkbox"/> NG , _____ |
| 3. Driving Voltage for LCD : | <input type="checkbox"/> Pass | <input type="checkbox"/> NG , _____ |
| 4. Contrast for LCD : | <input type="checkbox"/> Pass | <input type="checkbox"/> NG , _____ |
| 5. B/L Driving Method : | <input type="checkbox"/> Pass | <input type="checkbox"/> NG , _____ |
| 6. Negative Voltage Output : | <input type="checkbox"/> Pass | <input type="checkbox"/> NG , _____ |
| 7. Interface Function : | <input type="checkbox"/> Pass | <input type="checkbox"/> NG , _____ |
| 8. LCD Uniformity : | <input type="checkbox"/> Pass | <input type="checkbox"/> NG , _____ |
| 9. ESD test : | <input type="checkbox"/> Pass | <input type="checkbox"/> NG , _____ |
| 10. Others : | <input type="checkbox"/> Pass | <input type="checkbox"/> NG , _____ |

6、Summary :

Sales signature : _____

Customer Signature : _____

Date : / /

