



WINSTAR Display Co.,Ltd.
華凌光電股份有限公司



Winstar Display Co., LTD

華凌光電股份有限公司



WEB: <https://www.winstar.com.tw> E-mail: sales@winstar.com.tw

SPECIFICATION

CUSTOMER : _____

MODULE NO.: WF50FSYFGDHGV#

| | | |
|--|---------------------|--------------|
| APPROVED BY: (FOR CUSTOMER USE ONLY) | PCB VERSION: | DATA: |
|--|---------------------|--------------|

| SALES BY | APPROVED BY | CHECKED BY | PREPARED BY |
|--------------------------------|-------------|------------|-------------|
| | | | 葉虹蘭 |
| ISSUED DATE: 2021/07/05 | | | |

TFT Display Inspection Specification: <https://www.winstar.com.tw/technology/download.html>

Precaution in use of TFT module: <https://www.winstar.com.tw/technology/download/declaration.html>



RECORDS OF REVISION

DOC. FIRST ISSUE

| VERSION | DATE | REVISED PAGE NO. | SUMMARY |
|---------|------------|------------------|---|
| 0 | 2019/11/12 | | First issue |
| A | 2020/08/14 | | Add the HDMI interface description→HDMI(only for DVI) |
| B | 2021/05/17 | | Modify CTP & IDD. |
| C | 2021/07/05 | | Correct Aspect Ratio |

WINSTAR DISPLAY CO., LTD.

Contents

1.Module Classification Information

2.Summary

3.General Specification

4.Absolute Maximum Ratings

5.Electrical Characteristics

6.DC Characteristics

7.Optical Characteristics

8.Interface

9.Reliability

10.Contour Drawing

11.Other

WINSTAR DISPLAY Co., Ltd.

1.Module Classification Information

W F 50 F S Y F G D H G V #
 ① ② ③ ④ ⑤ ⑥ ⑦ ⑧ ⑨ ⑩ ⑪ ⑫ ⑬

| | | | | | | | | | | | | |
|---|---|---|--|---------|---|---|--|----------------------------------|---------------|--------------------------------|---|---------|
| ① | Brand : WINSTAR DISPLAY CORPORATION | | | | | | | | | | | |
| ② | Display Type : F→TFT Type, J→Custom TFT | | | | | | | | | | | |
| ③ | Display Size : 5.0" TFT | | | | | | | | | | | |
| ④ | Model serials no. | | | | | | | | | | | |
| ⑤ | Backlight Type : | F→CCFL, White S→LED, High Light White | | | | | T→LED, White Z→Nichia LED, White | | | | | |
| ⑥ | LCD Polarize Type/ Temperature range/ Gray Scale Inversion Direction | A→Transmissive, N.T, IPS TFT C→Transmissive, N. T, 6:00 ; F→Transmissive, N.T,12:00 ; I→Transmissive, W. T, 6:00 K→Transflective, W.T,12:00 L→Transmissive, W.T,12:00 N→Transmissive, Super W.T, 6:00 | | | | | Q→Transmissive, Super W.T, 12:00 R→Transmissive, Super W.T, O-TFT V→Transmissive, Super W.T, VA TFT W→Transmissive, Super W.T, IPS TFT X→Transmissive, W.T, VA TFT Y→Transmissive, W.T, IPS TFT Z→Transmissive, W.T, O-TFT | | | | | |
| ⑦ | A : TFT LCD B : TFT+SCREW HOLES+CONTROL BOARD C : TFT+ SCREW HOLES +A/D BOARD D : TFT+ SCREW HOLES +A/D BOARD+CONTROL BOARD E : TFT+ SCREW HOLES +POWER BOARD | | | | | F : TFT+CONTROL BOARD G : TFT+ SCREW HOLES H : TFT+D/V BOARD I : TFT+ SCREW HOLES +D/V BOARD J : TFT+POWER BD | | | | | | |
| ⑧ | Resolution: | | | | | | | | | | | |
| | A | 128160 | B | 320234 | C | 320240 | D | 480234 | E | 480272 | F | 640480 |
| | G | 800480 | H | 1024600 | I | 320480 | J | 240320 | K | 800600 | L | 240400 |
| | M | 1024768 | N | 128128 | P | 1280800 | Q | 480800 | R | 640320 | S | 480128 |
| | T | 800320 | U | 8001280 | V | 176220 | W | 1280398 | X | 1024250 | Y | 1920720 |
| | Z | 800200 | 2 | 1024324 | 3 | 7201280 | 4 | 19201200 | 5 | 1366768 | 6 | 1280320 |
| ⑨ | D: Digital L : LVDS M:MIPI | | | | | | | | | | | |
| ⑩ | Interface: | | | | | | | | | | | |
| | N | Without control board | | | A | 8Bit | | B | 16Bit | | H | HDMI |
| | I | I2C Interface | | | R | RS232 | | S | SPI Interface | | U | USB |
| ⑪ | TS: | | | | | | | | | | | |
| | N | Without TS | | | T | Resistive touch panel | | | C | Capacitive touch panel (G-F-F) | | |
| | G | Capacitive touch panel (G-G) | | | | | F | Capacitive touch panel (G-F) | | | | |
| | C2 | Capacitive touch panel (G-F-F)+OCR | | | | | G1 | Capacitive touch panel (G-G)+OCA | | | | |
| | G2 | Capacitive touch panel (G-G)+OCR | | | | | B | CTP+GG+USB | | | | |
| ⑫ | Version: X:Raspberry pi ; V: Raspberry pi 3B+ | | | | | | | | | | | |
| ⑬ | Special Code | | #:Fit in with ROHS directive regulations | | | | | | | | | |

| | | |
|--|--|--|
| | | |
|--|--|--|

WINSTAR DISPLAY Co., Ltd.

2.Summary

TFT 5.0” is a is a color active matrix thin film transistor (TFT) liquid crystal display (LCD) that uses amorphous silicon TFT as a switching device. This TFT LCD has a 5.0 inch diagonally measured active display area with 800x480 (800 horizontal by 480 vertical pixel) resolution.

WINSTAR DISPLAY Co., Ltd.

3. General Specifications

| Item | Dimension | Unit |
|------------------|---|------|
| Size | 5.0 | inch |
| Dot Matrix | 800 x 3(RGB) x 480 | dots |
| Module dimension | 120.7 x 75.8 x 23.2 (Max) | mm |
| Active area | 108.0 x 64.8 | mm |
| Pixel pitch | 0.135 x 0.135 | mm |
| LCD type | TFT, Normally Black, Transmissive | |
| View Direction | 80/80/80/80 | |
| Aspect Ratio | 5:3 | |
| Backlight Type | LED, Normally White | |
| Controller IC | TFP401 | |
| Interface | HDMI(only for DVI) | |
| CTP IC | IL12130 or Equivalent | |
| CTP FW Version | 0x07.0x00.0x00.0x00.0xA1.0x25.0x50.0x00 | |
| CTP Resolution | 16384*16384 | |
| CTP Interface | USB | |
| With /Without TP | With CTP | |
| Surface | Glare | |

*Color tone slight changed by temperature and driving voltage.

4. Absolute Maximum Ratings

| Item | Symbol | Min | Typ | Max | Unit |
|-----------------------|--------|-----|-----|-----|------|
| Operating Temperature | TOP | -20 | — | +70 | °C |
| Storage Temperature | TST | -30 | — | +80 | °C |

Note: Device is subject to be damaged permanently if stresses beyond those absolute maximum ratings listed above

1. Temp. $\leq 60^{\circ}\text{C}$, 90% RH MAX. Temp. $> 60^{\circ}\text{C}$, Absolute humidity shall be less than 90% RH at 60°C

WINSTAR DISPLAY Co., Ltd

5. Electrical Characteristics

5.1. Operating conditions:

| Item | Symbol | Min | Typ | Max | Unit | Remark |
|------------------------|---------------|------------|------------|------------|-------------|---------------|
| Supply Voltage For LCM | VDD | 4.9 | 5 | 5.1 | V | — |
| Supply Current For LCM | IDD | — | 490 | 750 | mA | Note 1 |
| LED life time | - | | 50,000 | | Hr | Note 4 |

Note 1 : This value is test for VDD =5.0V , Ta=25°C only

Note 2 : Please make sure to support enough current

Note3 : CTP driver is base on the mouse driver program and through USB port connect to PC or embedded board.Can only support the single touch.

Note 4: The “LED life time” is defined as the module brightness decrease to 50% original brightness at Ta=25°C and IL =40mA. The LED lifetime could be decreased if operating IL is larger than 40mA.

6.DC CHARATERISTICS

| Parameter | Symbol | Rating | | | Unit | Condition |
|--------------------------|----------|--------|-----|--------|------|-----------|
| | | Min | Typ | Max | | |
| Low level input voltage | V_{IL} | 0 | - | 0.3VDD | V | |
| High level input voltage | V_{IH} | 0.7VDD | - | VDD | V | |

WINSTAR DISPLAY Co., Ltd.

7. Optical Characteristics

| Item | Symbol | Condition. | Min | Typ. | Max. | Unit | Remark | |
|--------------------|--------|-----------------------------------|-----------------------------------|-------|-------|-------------------|-------------------|--------|
| Response time | Tr+Tf | $\theta=0^\circ$ 、 $\phi=0^\circ$ | - | 30 | 40 | .ms | Note 3 | |
| Contrast ratio | CR | At optimized viewing angle | 800 | 1000 | - | - | Note 4 | |
| Color Chromaticity | White | Wx | $\theta=0^\circ$ 、 $\phi=0^\circ$ | 0.27 | 0.32 | 0.37 | Note 2,6,7 | |
| | | Wy | | 0.295 | 0.345 | 0.395 | | |
| Viewing angle | Hor. | θ_R | $CR \geq 10$ | 70 | 80 | - | Deg. | Note 1 |
| | | θ_L | | 70 | 80 | - | | |
| | Ver. | ϕ_T | | 70 | 80 | - | | |
| | | ϕ_B | | 70 | 80 | - | | |
| Brightness | - | - | 650 | 750 | - | cd/m ² | Center of display | |
| Uniformity | (U) | - | 75 | - | - | % | Note5 | |

Ta=25±2°C

Note 1: Definition of viewing angle range

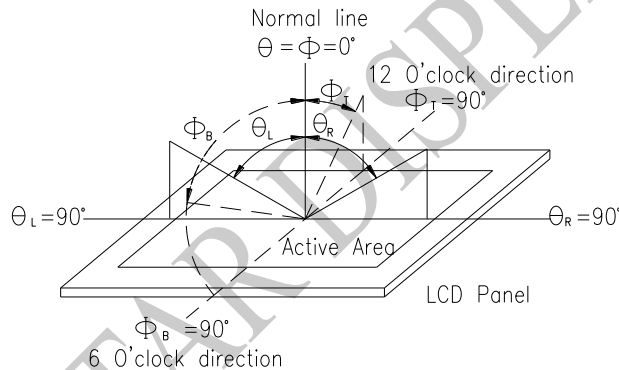


Fig. 7.1. Definition of viewing angle

Note 2: Test equipment setup:

After stabilizing and leaving the panel alone at a driven temperature for 10 minutes, the measurement should be executed. Measurement should be executed in a stable, windless, and dark room. Optical specifications are measured by Topcon BM-7or BM-5 luminance meter 1.0° field of view at a distance of 50cm and normal direction.

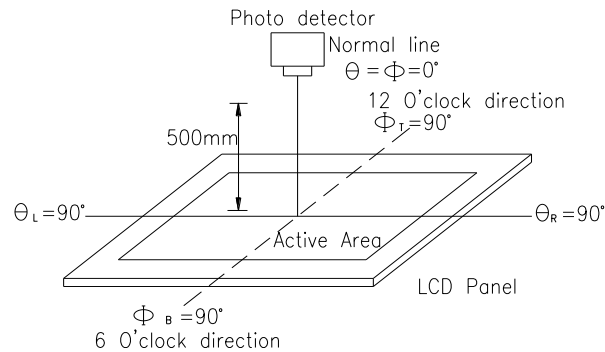
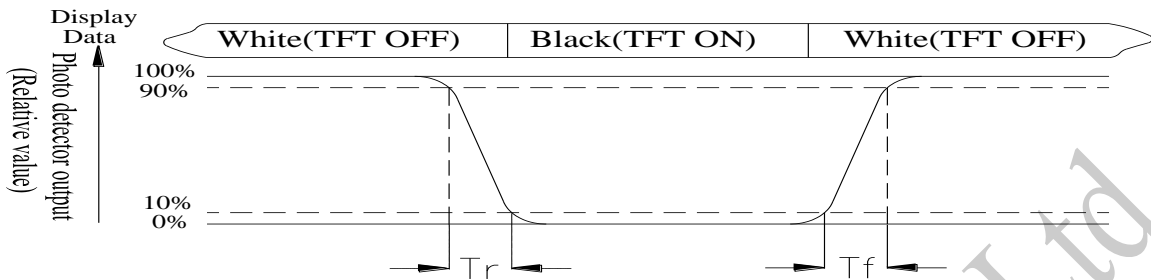


Fig. 7.2. Optical measurement system setup

Note 3: Definition of Response time:

The response time is defined as the LCD optical switching time interval between “White” state and “Black” state. Rise time, T_r , is the time between photo detector output intensity changed from 90% to 10%. And fall time, T_f , is the time between photo detector output intensity changed from 10% to 90%



Note 4: Definition of contrast ratio:

The contrast ratio is defined as the following expression.

$$\text{Contrast ratio (CR)} = \frac{\text{Luminance measured when LCD on the "White" state}}{\text{Luminance measured when LCD on the "Black" state}}$$

Note 5: Definition of Luminance Uniformity

Active area is divided into 9 measuring areas (reference the picture in below). Every measuring point is placed at the center of each measuring area.

Luminance Uniformity (U) = $L_{min}/L_{max} \times 100\%$

L = Active area length

W = Active area width

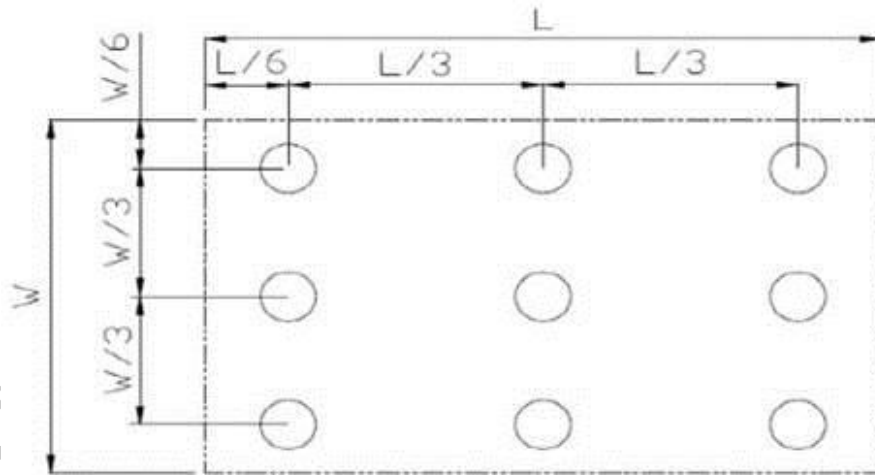


Fig7.3. . Definition of uniformity

Note 6: Definition of color chromaticity (CIE 1931)

Color coordinates measured at the center point of LCD

Note 7: Measured at the center area of the panel when all the input terminals of LCD panel are electrically opened.

8.Interface

8.1. LCM PIN Definition(CON4)

| Pin | Symbol | Function | Remark |
|-----|--------|--|--------|
| 1 | NC | No connection | |
| 2 | 5V | Raspberry Pi:Power 5V | |
| 3 | GPIO02 | Raspberry Pi:GPIO02 | |
| 4 | 5V | Raspberry Pi:Power 5V | |
| 5 | GPIO03 | Raspberry Pi:GPIO03 | |
| 6 | GND | Raspberry Pi:GND | |
| 7 | GPIO04 | Raspberry Pi:GPIO04 | |
| 8 | GPIO14 | Raspberry Pi:GPIO14 | |
| 9 | GND | Raspberry Pi:GND | |
| 10 | GPIO15 | Raspberry Pi:GPIO15 | |
| 11 | GPIO17 | Raspberry Pi:GPIO17 | |
| 12 | GPIO18 | Raspberry Pi:GPIO18 (Backlight Enable) | |
| 13 | GPIO27 | Raspberry Pi:GPIO27 | |
| 14 | GND | Raspberry Pi:GND | |
| 15 | GPIO22 | Raspberry Pi:GPIO22 | |
| 16 | GPIO23 | Raspberry Pi:GPIO23 | |
| 17 | NC | No connection | |
| 18 | GPIO24 | Raspberry Pi:GPIO24 | |
| 19 | GPIO10 | Raspberry Pi:GPIO10 | |
| 20 | GND | Raspberry Pi:GND | |
| 21 | GPIO09 | Raspberry Pi:GPIO09 | |
| 22 | GPIO25 | Raspberry Pi:GPIO25 | |
| 23 | GPIO11 | Raspberry Pi:GPIO11 | |
| 24 | GPIO08 | Raspberry Pi:GPIO08 | |
| 25 | GND | Raspberry Pi:GND | |
| 26 | GPIO07 | Raspberry Pi:GPIO07 | |
| 27 | ID_SD | Raspberry Pi:ID_SD | |
| 28 | ID_SC | Raspberry Pi:ID_SC | |
| 29 | GPIO05 | Raspberry Pi:GPIO05 | |
| 30 | GND | Raspberry Pi:GND | |

| | | | |
|----|--------|---------------------|--|
| 31 | GPIO06 | Raspberry Pi:GPIO06 | |
| 32 | GPIO12 | Raspberry Pi:GPIO12 | |
| 33 | GPIO13 | Raspberry Pi:GPIO13 | |
| 34 | GND | Raspberry Pi:GND | |
| 35 | GPIO19 | Raspberry Pi:GPIO19 | |
| 36 | GPIO16 | Raspberry Pi:GPIO16 | |
| 37 | GPIO26 | Raspberry Pi:GPIO26 | |
| 38 | GPIO20 | Raspberry Pi:GPIO20 | |
| 39 | GND | Raspberry Pi:GND | |
| 40 | GPIO21 | Raspberry Pi:GPIO21 | |

8.2. (CON5)

| Pin | Symbol | Function | Remark |
|-----|--------|---|--------|
| 1 | 3.3V | TFT Module Power limit can only output 3.3V,100mA | Note1 |
| 2 | 5V | Raspberry Pi:Power 5V | |
| 3 | GPIO02 | Raspberry Pi:GPIO02 | |
| 4 | 5V | Raspberry Pi:Power 5V | |
| 5 | GPIO03 | Raspberry Pi:GPIO03 | |
| 6 | GND | Raspberry Pi:GND | |
| 7 | GPIO04 | Raspberry Pi:GPIO04 | |
| 8 | GPIO14 | Raspberry Pi:GPIO14 | |
| 9 | GND | Raspberry Pi:GND | |
| 10 | GPIO15 | Raspberry Pi:GPIO15 | |
| 11 | GPIO17 | Raspberry Pi:GPIO17 | |
| 12 | GPIO18 | Raspberry Pi:GPIO18 (Backlight Enable) | |
| 13 | GPIO27 | Raspberry Pi:GPIO27 | |
| 14 | GND | Raspberry Pi:GND | |
| 15 | GPIO22 | Raspberry Pi:GPIO22 | |
| 16 | GPIO23 | Raspberry Pi:GPIO23 | |
| 17 | 3.3V | TFT Module Power limit can only output 3.3V,100mA | Note1 |
| 18 | GPIO24 | Raspberry Pi:GPIO24 | |
| 19 | GPIO10 | Raspberry Pi:GPIO10 | |
| 20 | GND | Raspberry Pi:GND | |
| 21 | GPIO09 | Raspberry Pi:GPIO09 | |

| | | | |
|----|--------|---------------------|--|
| 22 | GPIO25 | Raspberry Pi:GPIO25 | |
| 23 | GPIO11 | Raspberry Pi:GPIO11 | |
| 24 | GPIO08 | Raspberry Pi:GPIO08 | |
| 25 | GND | Raspberry Pi:GND | |
| 26 | GPIO07 | Raspberry Pi:GPIO07 | |
| 27 | ID_SD | Raspberry Pi:ID_SD | |
| 28 | ID_SC | Raspberry Pi:ID_SC | |
| 29 | GPIO05 | Raspberry Pi:GPIO05 | |
| 30 | GND | Raspberry Pi:GND | |
| 31 | GPIO06 | Raspberry Pi:GPIO06 | |
| 32 | GPIO12 | Raspberry Pi:GPIO12 | |
| 33 | GPIO13 | Raspberry Pi:GPIO13 | |
| 34 | GND | Raspberry Pi:GND | |
| 35 | GPIO19 | Raspberry Pi:GPIO19 | |
| 36 | GPIO16 | Raspberry Pi:GPIO16 | |
| 37 | GPIO26 | Raspberry Pi:GPIO26 | |
| 38 | GPIO20 | Raspberry Pi:GPIO20 | |
| 39 | GND | Raspberry Pi:GND | |
| 40 | GPIO21 | Raspberry Pi:GPIO21 | |

Note1: The 3.3V supply current is limited; please pay special attention to use

8.3. CTP USB PIN Definition(CON3)

| Pin | Symbol | Function | Remark |
|-----|--------|---------------|--------|
| 1 | 5V | Power 5V | |
| 2 | D- | Data line - | |
| 3 | D+ | Data line + | |
| 4 | NC | No connection | |
| 5 | GND | Power Ground | |

8.4. DVI

| Pin No. | Symbol | I/O | Function | Remark |
|---------|--------|-----|---------------------------------|--------|
| 1 | Rx2+ | I | +LVDS Differential Data Input | |
| 2 | GND | P | Ground | |
| 3 | Rx2- | I | -LVDS Differential Data Input | |
| 4 | Rx1+ | I | +LVDS Differential Data Input | |
| 5 | GND | P | Ground | |
| 6 | Rx1- | I | -LVDS Differential Data Input | |
| 7 | Rx0+ | I | +LVDS Differential Data Input | |
| 8 | GND | P | Ground | |
| 9 | Rx0- | I | -LVDS Differential Data Input | |
| 10 | RxC+ | I | +LVDS Differential Clock Input | |
| 11 | GND | P | Ground | |
| 12 | RxC- | I | -LVDS Differential Clock Input | |
| 13-14 | NC | - | No connection | |
| 15 | SCL | I/O | DDC(Data Display Channel) Clock | |
| 16 | SDA | I/O | DDC(Data Display Channel) Data | |
| 17 | GND | P | Ground | |
| 18 | 5V | P | Power Supply | |
| 19 | Detect | I/O | Hot plug detect | |

I: input, O: output, P: Power

9. Reliability

Content of Reliability Test (Wide temperature, -20°C~70°C)

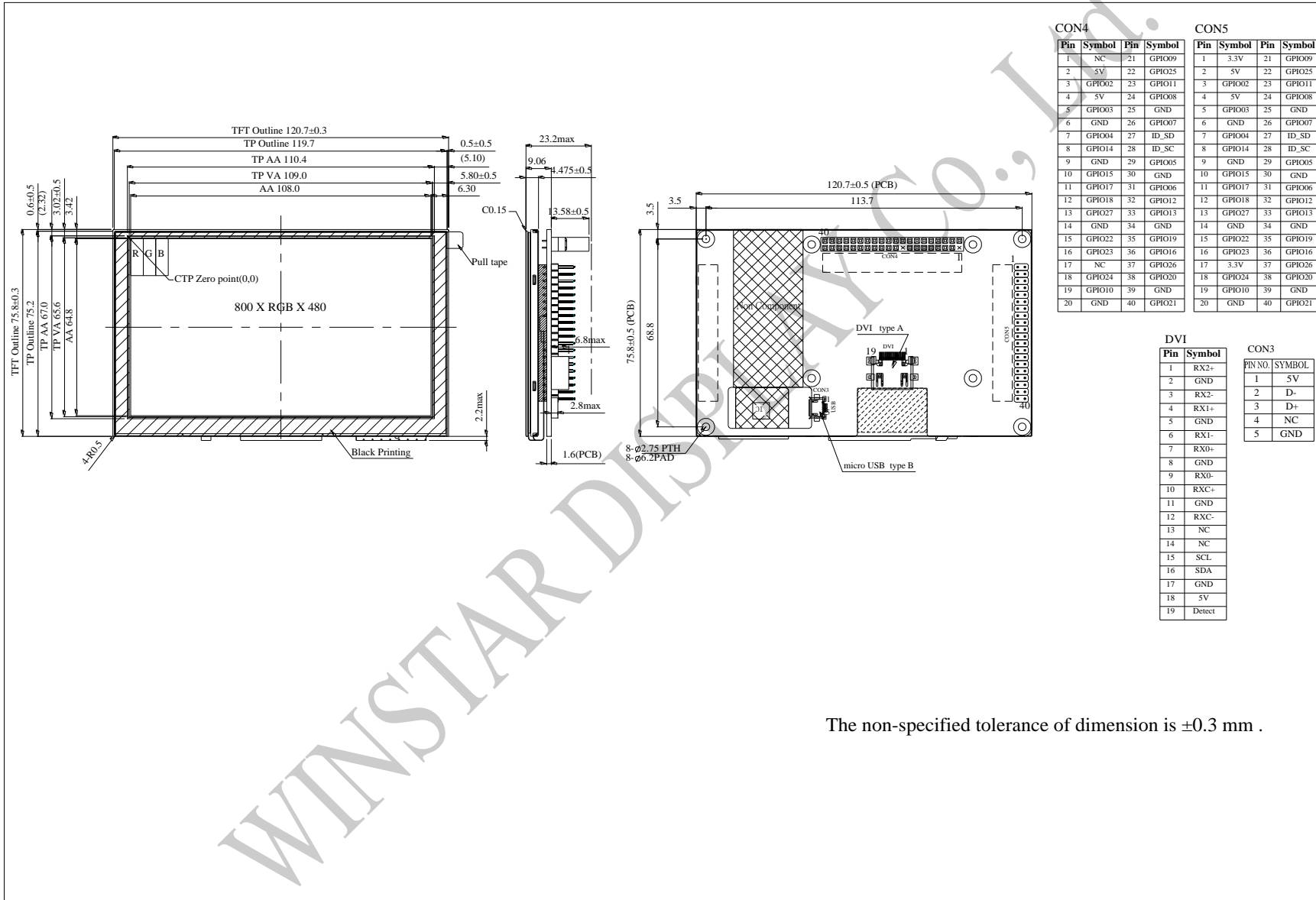
| Environmental Test | | | |
|---|--|--|------|
| Test Item | Content of Test | Test Condition | Note |
| High Temperature storage | Endurance test applying the high storage temperature for a long time. | 80°C 200hrs | 2 |
| Low Temperature storage | Endurance test applying the low storage temperature for a long time. | -30°C 200hrs | 1,2 |
| High Temperature Operation | Endurance test applying the electric stress (Voltage & Current) and the thermal stress to the element for a long time. | 70°C 200hrs | — |
| Low Temperature Operation | Endurance test applying the electric stress under low temperature for a long time. | -20°C 200hrs | 1 |
| High Temperature/ Humidity Operation | The module should be allowed to stand at 60°C,90%RH max | 60°C,90%RH 96hrs | 1,2 |
| Thermal shock resistance | The sample should be allowed stand the following 10 cycles of operation <div style="text-align: center;"> <p style="margin: 0;">-20°C 25°C 70°C</p> <p style="margin: 0;">30min 5min 30min</p> <p style="margin: 0;">1 cycle</p> </div> | -20°C/70°C 10 cycles | — |
| Vibration test | Endurance test applying the vibration during transportation and using. | Total fixed amplitude : 1.5mm Vibration Frequency : 10~55Hz One cycle 60 seconds to 3 directions of X,Y,Z for Each 15 minutes | 3 |
| Static electricity test | Endurance test applying the electric stress to the terminal. | VS=±600V(contact), ±800v(air), RS=330Ω CS=150pF 10 times | — |

Note1: No dew condensation to be observed.

Note2: The function test shall be conducted after 4 hours storage at the normal Temperature and humidity after remove from the test chamber.

Note3: The packing have to including into the vibration testing.

10. Contour Drawing



| CON4 | | | | CON5 | | | |
|------|--------|-----|--------|------|--------|-----|--------|
| Pin | Symbol | Pin | Symbol | Pin | Symbol | Pin | Symbol |
| 1 | NC | 21 | GPI009 | 1 | 3.3V | 21 | GPI009 |
| 2 | 5V | 22 | GPI025 | 2 | 5V | 22 | GPI025 |
| 3 | GPI002 | 23 | GPI011 | 3 | GPI002 | 23 | GPI011 |
| 4 | 5V | 24 | GPI008 | 4 | 5V | 24 | GPI008 |
| 5 | GPI003 | 25 | GND | 5 | GPI003 | 25 | GND |
| 6 | GND | 26 | GPI007 | 6 | GND | 26 | GPI007 |
| 7 | GPI004 | 27 | ID_SD | 7 | GPI004 | 27 | ID_SD |
| 8 | GPI014 | 28 | ID_SC | 8 | GPI014 | 28 | ID_SC |
| 9 | GND | 29 | GPI005 | 9 | GND | 29 | GPI005 |
| 10 | GPI015 | 30 | GND | 10 | GPI015 | 30 | GND |
| 11 | GPI017 | 31 | GPI006 | 11 | GPI017 | 31 | GPI006 |
| 12 | GPI018 | 32 | GPI012 | 12 | GPI018 | 32 | GPI012 |
| 13 | GPI027 | 33 | GPI013 | 13 | GPI027 | 33 | GPI013 |
| 14 | GND | 34 | GND | 14 | GND | 34 | GND |
| 15 | GPI022 | 35 | GPI019 | 15 | GPI022 | 35 | GPI019 |
| 16 | GPI023 | 36 | GPI016 | 16 | GPI023 | 36 | GPI016 |
| 17 | NC | 37 | GPI026 | 17 | 3.3V | 37 | GPI026 |
| 18 | GPI024 | 38 | GPI020 | 18 | GPI024 | 38 | GPI020 |
| 19 | GPI010 | 39 | GND | 19 | GPI010 | 39 | GND |
| 20 | GND | 40 | GPI021 | 20 | GND | 40 | GPI021 |

| DVI | | CON3 | |
|-----|--------|---------|--------|
| Pin | Symbol | Pin No. | Symbol |
| 1 | RX2+ | 1 | 5V |
| 2 | GND | 2 | D- |
| 3 | RX2- | 3 | D+ |
| 4 | RX1+ | 4 | NC |
| 5 | GND | 5 | GND |
| 6 | RX1- | | |
| 7 | RX0+ | | |
| 8 | GND | | |
| 9 | RX0- | | |
| 10 | RXC+ | | |
| 11 | GND | | |
| 12 | RXC- | | |
| 13 | NC | | |
| 14 | NC | | |
| 15 | SCL | | |
| 16 | SDA | | |
| 17 | GND | | |
| 18 | 5V | | |
| 19 | Detect | | |

The non-specified tolerance of dimension is ±0.3 mm .



1、Panel Specification :

- 1. Panel Type : Pass NG , _____
- 2. View Direction : Pass NG , _____
- 3. Numbers of Dots : Pass NG , _____
- 4. View Area : Pass NG , _____
- 5. Active Area : Pass NG , _____
- 6. Operating : Pass NG , _____
- 7. Storage Temperature : Pass NG , _____
- 8. Others : _____

2、Mechanical

- 1. PCB Size : Pass NG , _____
- 2. Frame Size : Pass NG , _____
- 3. Material of Frame : Pass NG , _____
- 4. Connector Position : Pass NG , _____
- 5. Fix Hole Position : Pass NG , _____
- 6. Backlight Position : Pass NG , _____
- 7. Thickness of PCB : Pass NG , _____
- 8. Height of Frame to PCB : Pass NG , _____
- 9. Height of Module : Pass NG , _____
- 10. Others : Pass NG , _____

3、Relative Hole Size :

- 1. Pitch of Connector : Pass NG , _____
- 2. Hole size of Connector : Pass NG , _____
- 3. Mounting Hole size : Pass NG , _____
- 4. Mounting Hole Type : Pass NG , _____
- 5. Others : Pass NG , _____

4、Backlight Specification :

- 1. B/L Type : Pass NG , _____
- 2. B/L Color : Pass NG , _____
- 3. B/L Driving Voltage (Reference for LED) : Pass NG , _____
- 4. B/L Driving Current : Pass NG , _____
- 5. Brightness of B/L : Pass NG , _____
- 6. B/L Solder Method : Pass NG , _____
- 7. Others : Pass NG , _____



Winstar Module Number : _____

Page: 2

5、Electronic Characteristics of Module :

- 1. Input Voltage : Pass NG , _____
- 2. Supply Current : Pass NG , _____
- 3. Driving Voltage for LCD : Pass NG , _____
- 4. Contrast for LCD : Pass NG , _____
- 5. B/L Driving Method : Pass NG , _____
- 6. Negative Voltage Output : Pass NG , _____
- 7. Interface Function : Pass NG , _____
- 8. LCD Uniformity : Pass NG , _____
- 9. ESD test : Pass NG , _____
- 10. Others : Pass NG , _____

6、Summary :

Sales signature : _____

Customer Signature : _____

Date : / / _____

