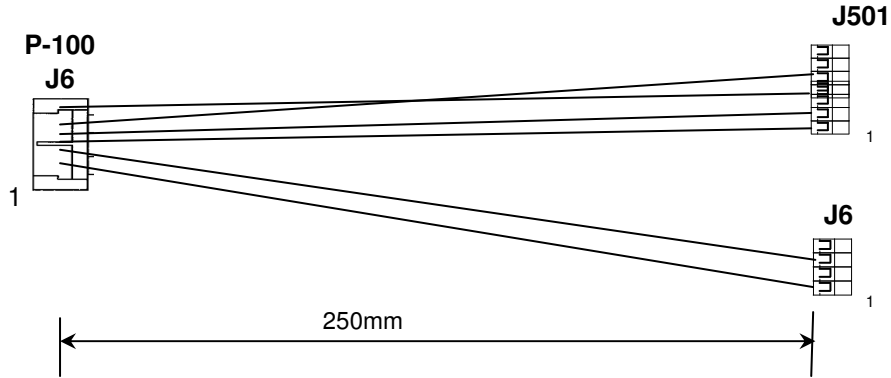


Cable description: PowerC_P100_DCMR45-500

our Art. No.: 188-00673

Length: 500 mm



P-100 Karte J6			Ansteuerkarte	
			J6	J501
1	5V	nc		
2	5V	nc		
3	12V	AWG 24	1	
4	12V	nc		
5	P_ON	nc		
6	GND	AWG 24	3	
7	GND	AWG 24		1
8	GND	AWG 24		2
9	ON/OFF	AWG 24		5
10	Dimming	AWG 24		4

NO	Q'TY	DESCRIPTION			SPECIFICATION	COLOR	VENDOR
P-100 J6		HOUSING			SMH200-10 or equ.		Yenho
		Terminal			YST200 or equ.		Yenho
		cable			AWG 24		
J6		HOUSING			51004-0400 or equ.		Molex
		Terminal			50011 or equ.		Molex
J501		HOUSING			51004-0700 or equ.		Molex
		Terminal			50011 or equ.		Molex
Beck Elektronik					CUSTOMER	Various	
	SCALE	DIMENSION	CHECKED	APPROVED	DATE	MODEL	
		mm		PYA	22.06.2010	TITLE	PowerC_P100_DCMR45-500
						DWG, NO	188-00673_PowerC_P100_DCMR45.xls
						PART, NO	188-00673